

Table of Contents	Page
Table of Contents	1
Bed Assembly I	2-4
Bed Assembly II	5-6
Headstock Assembly I	7-9
Headstock Assembly II	10-12
Headstock Assembly IV	13-15
Headstock Assembly V	16-18
Headstock Assembly III	19-20
Gear Assembly	21-22
Gear Box Assembly I	23-24
Gear Box Assembly II	25-27
Gear Box Assembly III	28-30
Taper Assembly	31-32
Micro Carriage Stop Assembly	33-34
Brake Assembly	35-36
Tool Post Assembly I	37-39
Tool Post Assembly II	40-42
Apron Assembly I	43-46
Apron Assembly II	47-49
Apron Assembly III	50-52
Tailstock Assembly I	53-54
Tailstock Assembly II	55-56
Steady Rest Assembly	57-58
Follow Rest Assembly	59-60

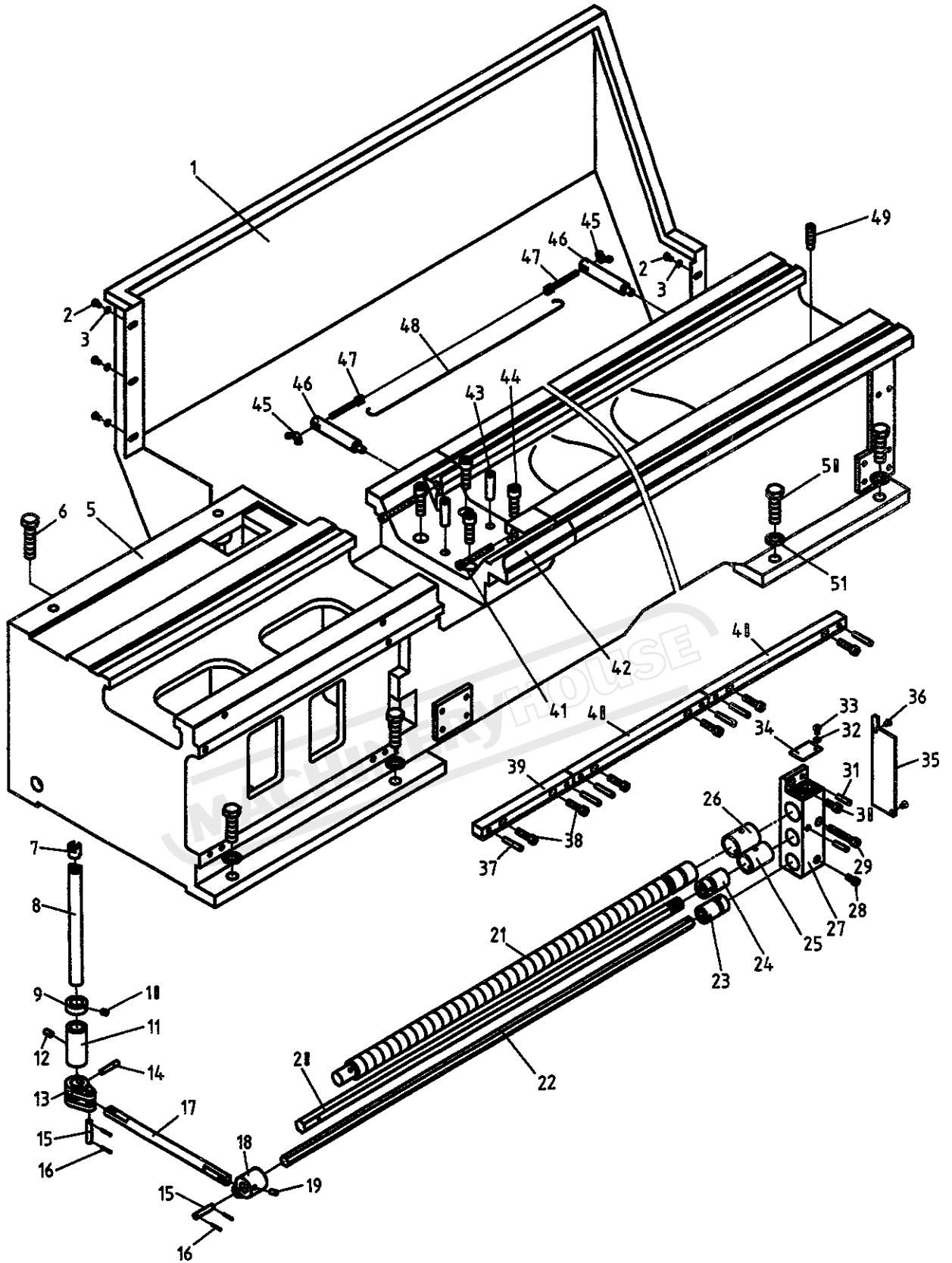
MACHINERYHOUSE

Bed Assembly I

Index No.	Part No.	Description	Size	Qty.
1	C6266C-12701A	Splash Guard (for 1000 models)		1
	C6266C-12701B	Splash Guard (for 1500 models)		1
	C6266C-12701C	Splash Guard (for 2000 models)		1
	C6266C-12701CN	Splash Guard (for 2200 models)		1
	C6266C-12701D	Splash Guard (for 3000 models)		1
2	GB70	Hex Socket Cap Screw	M6x8	8
3	GB97	Flat Washer	6	8
5	C6266C-01101A	Bed (for 1000 models)		1
	C6266C-01101B	Bed (for 1500 models)		1
	C6266C-01101C	Bed (for 2000 models)		1
	C6266C-01101CN	Bed (for 2200 models)		1
	C6266C-01101D	Bed (for 3000 models)		1
6	GB5782	Hex Cap Bolt	M20x60	4
7	C6140W-01705	Crossed Head		1
8	C6140W-01706	Screw		1
9	C6140W-01707	Sleeve		1
10	GB71	Slotted Set Screw	M10x12	1
11	C6140W-01709	Sleeve		1
12	GB71	Slotted Set Screw	M10x20	1
13	C6140W-01104	Fork		1
14	GB118	Taper Pin	8x50	1
15	GB71	Slotted Set Screw	M10x14	2
16	GB91	Split Pin	2x16	4
17	C6140W-01711	Pulling Rod		1
18	C6266C-01106	Sleeve		1
19	GB71	Slotted Set Screw	M8x16	1
20	C6140W-01703	Hex Feed Rod (for 1000 models)		1
	C6266C-01703B	Hex Feed Rod (for 1500 models)		1
	C6266C-01703C	Hex Feed Rod (for 2000 models)		1
	C6266C-01703CN	Hex Feed Rod (for 2200 models)		1
	C6266C-01703D	Hex Feed Rod (for 3000 models)		1
21	C6140W-01702	Lead Screw (for 1000 models)		1
	C6266C-01702B	Lead Screw (for 1500 models)		1
	C6266C-01702C	Lead Screw (for 2000 models)		1
	C6266C-01702CN	Lead Screw (for 2200 models)		1
	C6266C-01702D	Lead Screw (for 3000 models)		1
22	C6140W-01705	Hex Control Rod (for 1000 models)		1
	C6266C-01705B	Hex Control Rod (for 1500 models)		1
	C6266C-01705C	Hex Control Rod (for 2000 models)		1
	C6266C-01705CN	Hex Control Rod (for 2200 models)		1
	C6266C-01705D	Hex Control Rod (for 3000 models)		1
23	C6140W-01724	Sleeve		1
24	C6140W-01725	Sleeve		1
25	C6140W-01302	Copper Sleeve		1
26	C6140W-01301	Copper Sleeve		1
27	C6140W-01109	Bracket		1
28	GB70	Hex Socket Cap Screw	M8x20	1
29	GB70	Hex Socket Cap Screw	M10x70	1
30	GB70	Hex Socket Cap Screw	M10x25	1
31	GB118	Taper Pin	8x35	2

32	GB97	Flat Washer	6	8
33	GB70	Hex Socket Cap Screw	M6x8	8
34	C6140W-01726	Cover		1
35	C6140W-01732	Cover		1
36	GB818	Cross Head Screw	M6x8	2
37	GB118	Taper Pin	8x45	6
38	GB70	Hex Socket Cap Screw	M10x35	6
39	C6266C-01704	Rack (for 1000 models)		2
	C6266C-01704	Rack (for 1500 models)		1
	C6266C-01704	Rack (for 2000 models)		1
	C6266C-01704	Rack (for 2200 models)		2
	C6266C-01704	Rack (for 3000 models)		1
40	C6140W-01719	Rack (for 1000 models)		2
	C6140W-01719	Rack (for 1500 models)		4
	C6140W-01719	Rack (for 2000 models)		5
	C6140W-01719	Rack (for 2200 models)		5
	C6140W-01719	Rack (for 3000 models)		8
41	GB70	Hex Socket Cap Screw	M10x85	2
42	C6266C-01103	Gap		1
43	GB118	Taper Pin	16x60	2
44	GB70	Hex Socket Cap Screw	M16x50	4
45	GB62	Alary Nut A	M8	2
46	C6266C-01709	Screw		2
47	C6266C-01708	Screw		2
48	C6266C-HA048	Steel Wire	Φ 1.5	1
49	C6140W-01733	Pin		1
50	GB5782	Hex Bolt	M20x80	4
51	GB97.2	Flat Washer	20	8

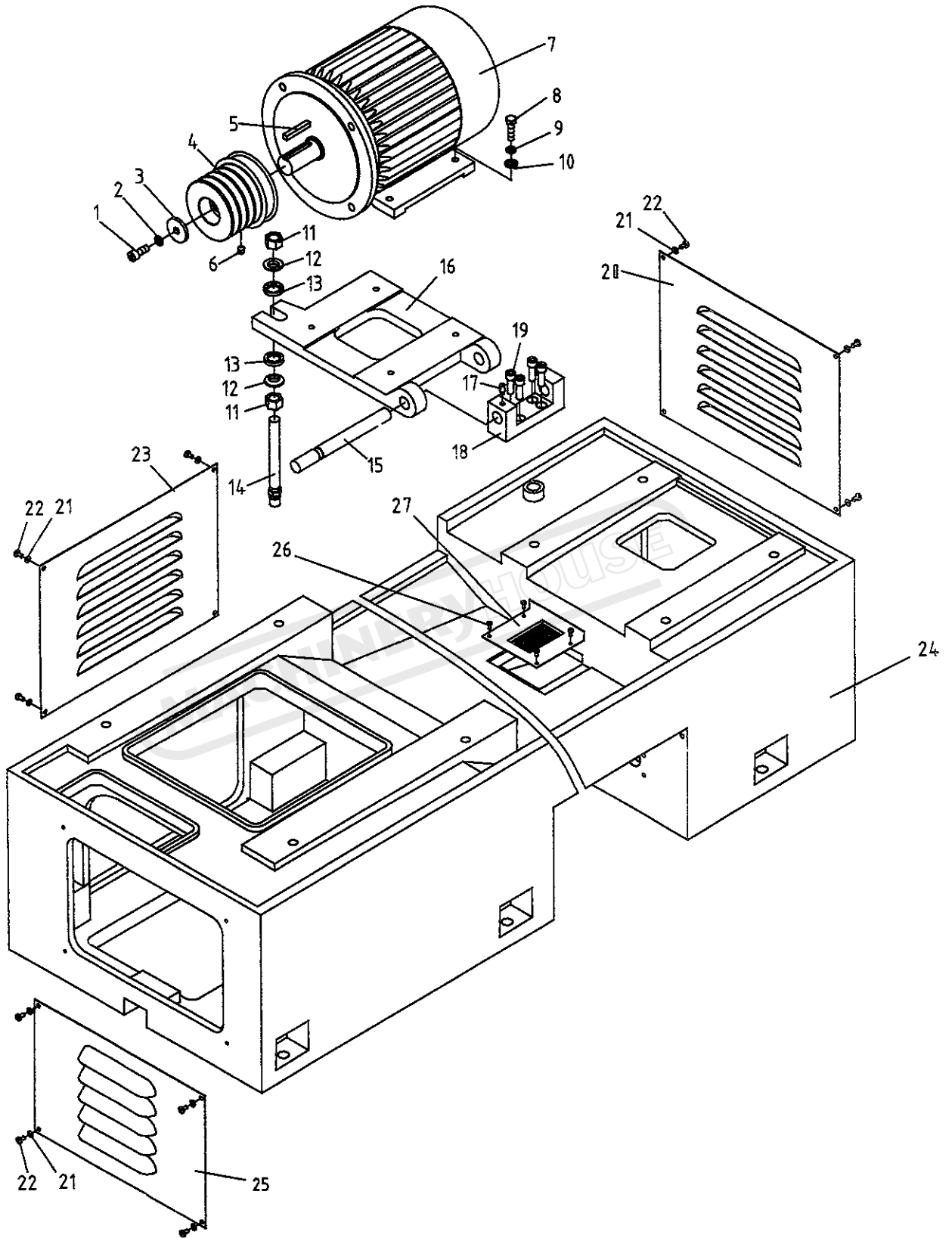
Bed Assembly I



Bed Assembly II

Index	Part	Description	Size	Qty.
1	GB70	Hex Socket Cap Screw	M12x30	1
2	GB93	Spring Washer	12	1
3	C6266C-01706	Washer		1
4	C6266C-01105	Pulley		1
5	GB1096	Flat Key		1
6	GB71	Slotted Set Screw	M12x16	1
7	Y132M-4TH/B3	Motor	7.5W	1
8	GB5782	Hex Bolt	M10x40	4
9	GB93	Spring Washer	10	4
10	GB97.2	Flat Washer	10	4
11	GB6170	Hex Nut	M20	2
12	GB850	Taper Washer		2
13	GB849	Ball Washer		2
14	C6140W-01714	Double Bolt		1
15	C6266C-01711	Shaft		1
16	C6266C-01104	Motor Mounting Plate		1
17	GB75	Slotted Set Screws	M10x14	1
18	C6266C-01107	Support		1
19	GB70	Hex Socket Cap Screw	M12x35	4
20	C6266C-01701	Cover		1
21	GB97	Flat Washer	6	12
22	GB818	Cross Head Screw	M6x5	12
23	C6266C-01710	Cover		1
24	C6266C-01102A	Bed Stand (for 1000 models)		1
	C6266C-01102B	Bed Stand (for 1500 models)		1
	C6266C-01102C	Bed Stand (for 2000 models)		1
	C6266C-01102CN	Bed Stand (for 2200 models)		1
	C6266C-01108	Front Bed Stand (for 3000 models not show)		1
	C6266C-01109	Middle Bed Stand (for 3000 models not show)		1
	C6266C-01110	Behind Bed Stand (for 3000 models not show)		1
25	C6266C-01707	Cover		1
26	GB818	Cross Head Screw	M5x6	4
27	1440R-01705	Water Leaking Chip Guard		1

Bed Assembly II



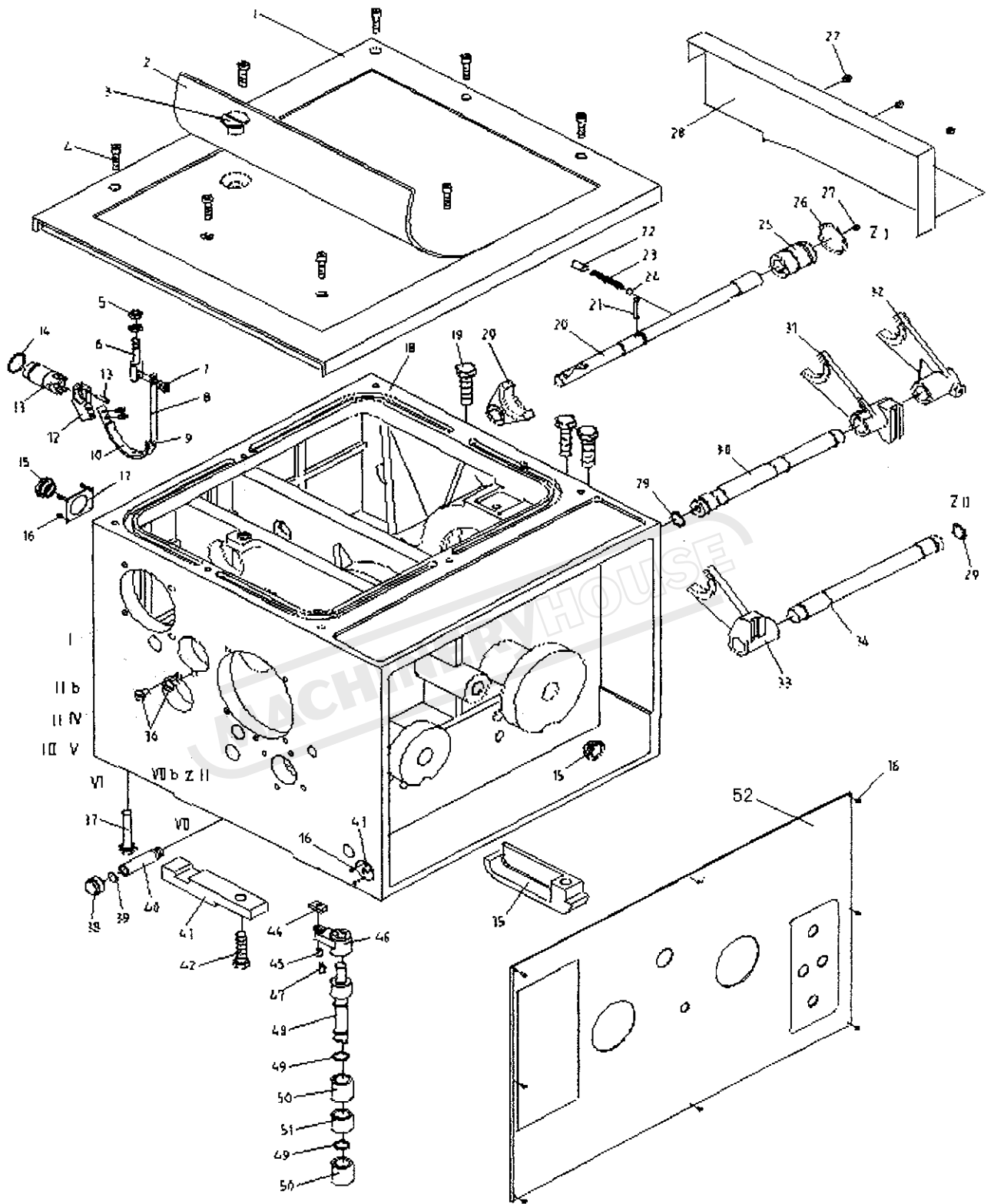
Headstock Assembly I

Index No.	Part No.	Description	Size	Qty.
1	C6266C-02502	Headstock Cover		1
2	C6266C-02501	Rubber Gasket		1
3	C6140W-02835	Sunk Screw		1
4	GB70	Hex Socket Cap Screw	M10x35	8
5	GB6172	Hex Flat Screw	M12	2
6	C6266C-02768	Braking Belt Support		1
7	GB65	Slotted Socket Cap Screw	M6x10	4
8	C6266C-02767	Braking Belt		1
9	GB867	Half Circle Rivet	3x10	3
10	C6266C-02503	Braking Friction Disk		1
11	GB119	Pin	6n6x14	1
12	C6266C-02770	Braking Belt Support		1
13	C6266C-02769	Shaft		1
14	GB3452.1	Ring Seal	30x2.65	1
15	R51-2	Oil Glass		2
16	GB818	Cross Recessed Pen Head Screw	M3x4	7
17	C6266C-02306	Sign Plate		1
18	C6266C-02101	Headstock		1
19	GB5782	Hexagon Head Bolt	M20x75	3
20	C6266C-02125	Fork		1
21	GB118	Pin	8x40	1
22	GB71	Slotted Set Screw	M12x30	1
23	Q81-1	Spring	1.6x8x70	1
24	GB308	Boll	10	1
25	C6140W-02105	Bushing		1
26	GB3452.1	Ring Seal	38.7x3.55	1
27	GB818	Cross Head Screw	M6x8	1
28	C6266C-02757	Cover		1
29	GB3452.1	Ring Seal	26.5x2.65	2
30	C6266C-02761	Control Shaft		1
31	C6266C-02128	Fork		1
32	C6266C-02124	Fork		1
33	C6266C-02120	Fork		1
34	C6266C-02762	Control Shaft		1
35	C6140W-02141	Front Cover		1
36	C6140W-02711	Screw		3
37	GB5782	Hexagon Head Bolt	M16x80	2
38	C6140W-02504	Washer		1
39	C6140W-02831	Nut		1
40	C6140W-02832	Drain Pipe		1
41	C6140W-02833	Clamping Plate		1
42	GB5782	Hexagon Head Bolt	M16x60	1
43	C6266C-02303	Sign Plate		1

44	C6140W-02143	Slide Block	1
45	GB119	Pin..... n6x20	1
46	C6140W-02129	Rocker	1
47	GB1099	Half Circle Key..... 6x22	1
48	C6266C-02763	Shaft	1
49	G51-2A	Ring Seal..... 25x2.4	2
50	C6140W-02127	Collar	2
51	C6266C-02119	Collar	1
52	C6266C-02305	Label	1
53	GB818	Cross Head Screw..... M3x6	8
54	C6266C-02721	Positioning Shaft	1

MACHINERYHOUSE

Headstock Assembly I



Headstock Assembly II

Index No.	Part No.	Description	Size	Qty.
1		Chain	12.7x58	1
2	GB894.1	Circlip For Shaft	16	1
3	C6140W-02808	Chain wheel		2
4	C6266C-02751	Gear		1
5	C6266C-02780	Sleeve		1
6	GB3452.1	Ring Seal	34.5x2.65	1
7	GB1096	Key	5x10	3
8	C6266C-02753	Collar		1
9	GB3452.1	Ring Seal	25x2.65	2
10	C6266C-02752	Shaft		1
11	GB3452.1	Ring Seal	17x1.8	3
12	C6266C-02756	Positioning Disc		1
13	GB819	Cross Recessed head Screws	M6x14	4
14	C6140W-02799	Lever		
15	C6266C-02114	Lever Support		1
16	GB308	Boll	10	3
17	Q81-1	Spring	1.6x8x18	3
18	C6266C-02754	Positioning Screw		2
19	GB894.1	Circlip For Shaft	30	1
20	C6140W-02801	Lever		1
21	C6140W-02123	Lever Support		1
22	C6140W-02821	Washer		2
23	GB819	Cross Recessed Head Screws	M5x16	6
24	C6266C-02304	Speed Label		1
25	C6140W-02813	Pin		2
26	C6266C-02775	Connector		1
27	C6266C-02121	Rocker		1
28	GB117	Taper Pin	6x45	
29	C6140W-02812	Roller		2
30	C6140W-02119	Slide Block		3
31	GB119	Pin	6n6x14	3
32	C6266C-02122	Fork		1
33	C6266C-02765	Axis		1
34	GB117	Taper Pin	6x35	1
35	C6266C-02749	Gear		1
36	C6266C-02112	Collar		1
37	GB3452.1	Ring Seal	30x2.65	
38	C6266C-02750	Washer		2
39	C6266C-02764	Pin		1
40	C6266C-02123	Collar		1
41	C6266C-02111	Plug		1
42	GB3452.1	Ring Seal	20x2.65	1
43	C6266C-02760	Shaft		1
44	C6266C-02118	Fork		1

45	C6266C-02116	Collar		1
46	GB117	Taper Pin	6x40	1
47	C6266C-02117	Rocker		1
48	C6266C-02759	Shaft		1
49	GB1099	Key	5 x19	2
50	GB3452.1	Ring Seal	21.2x2.65	1
51	C6266C-02758	Positioning Disc		1
52	C6140W-02822	Lever		1
53	C6266C-02115	Lever Support		1
54	GB73	Set Screws	M12x14	1
55	C6266C-02774	Bolt		1
56	C6266C-02129	Rockerechard		1
57	GB75	Recessed Head Set Screw	M5 x8	1
58	C6266C-02773	Screw		1
59	GB97.1	Plain washers	12	1
60	C6140W-02826	Tightening Wheel		1
61	C6140W-02825	Pin		1
62	C6266C-02771	Shaft		1
63	GB117	Taper Pin	5x40	1
64	C6266C-02127	Rocker		1
65	C6266C-02766	Shaft		1
66	C6266C-02772	Positioning Disc		1
67	GB3452.1	Ring Seal	12.5x1.8	1
68	C6266C-02126	Collar		1

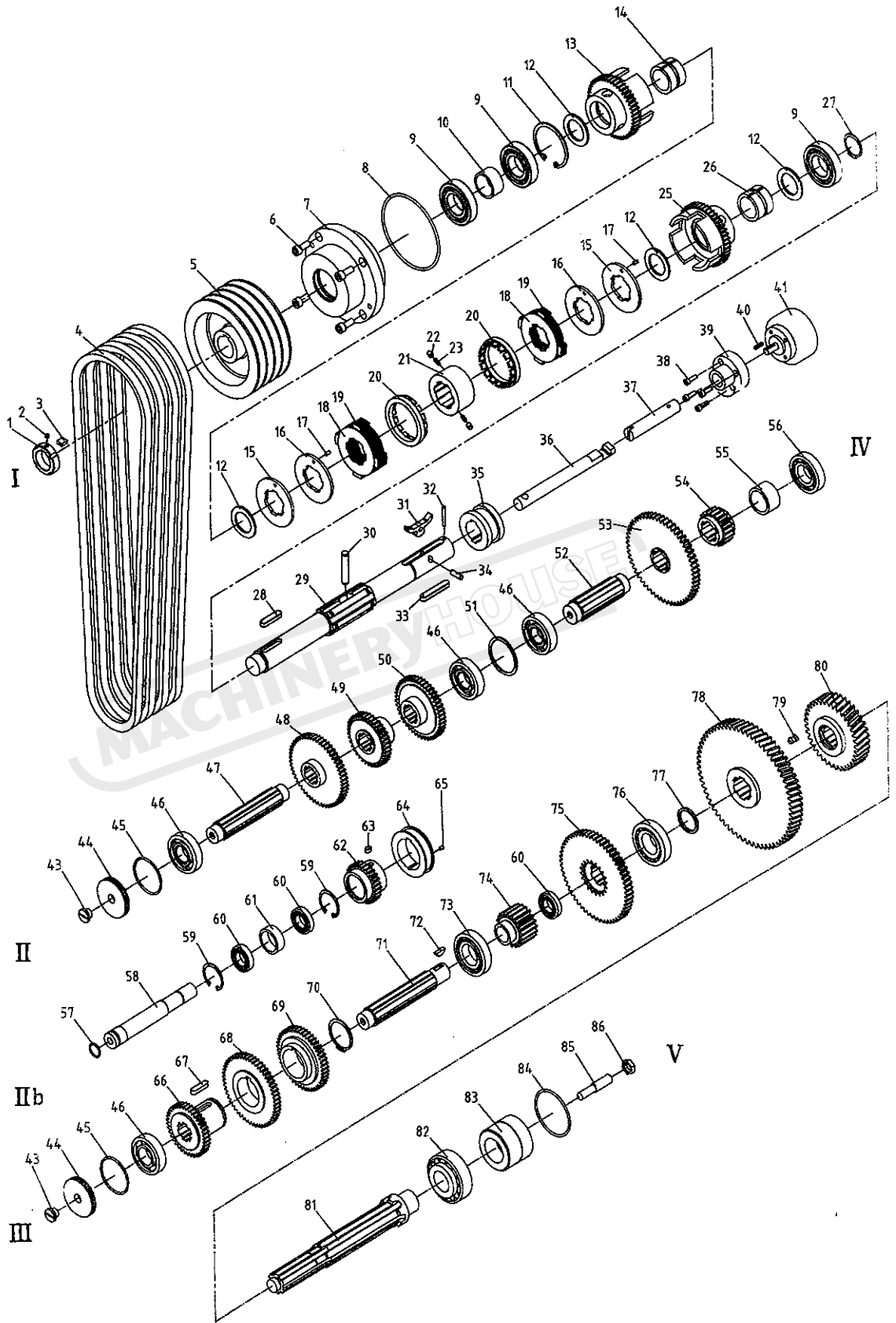
MACHINERYHOUSE

Headstock Assembly IV

Index No.	Part No.	Description	Size	Qty.
1	C6140W-02752-1/2	Round Nut		1
2	GB77	Hexagon Socket Set Screws	M6x6	1
3	C6140W-02752-2/2	Clamping Plate		1
4	B2464	Belt		4
5	C6266C-02107	Pulley		1
6	GB70	Hex Cap Head Screws	M10x25	4
7	C6266C-02105	Bearing Cover		1
8	GB3452.1	Ring Seal	125x3.55	1
9	6208	Ball Bearing		3
10	C6266C-02106	Sleeve		1
11	GB894.1	Circlip For Shaft	40	1
12	C6266C-02723	Sleeve		3
13	C6140W-02745	Outterfriction Disk		1
14	C6266C-02302	Collar		1
15	C6140W-02748	Washer		2
16	C6140W-02747	Was her		2
17	GB119	Pin	5x10	2
18	C6140W-02746	Inner Friction Disk		1
19	C6140W-02741	Adjust Nut		2
20	C6140W-02741	Adjusting Nut		2
21	C6266C-02727	Sleeve Nut		1
22	C6140W-02744	Stop Pin		1
23	Q81-1	Spring	0.8x5x16	2
25	C6266C-02724	Clutch Right Housing		1
26	C6266C-02301	Collar		1
27	GB894.1	Circlip For Shaft	40	1
28	GB1096	Key	12x50	1
29	C6266C-02731	I Shaft		1
30	GB119	Pin	12x70	1
31	C6240W-02732	Lever		1
32	GB119	Pin	5x40	1
33	GB1096	Key	12x70	1
34	GB119	Pin	8x25	1
35	C6140W-02733	Clamping Ring		1
36	C6266C-02728	Shaft		1
37	C6266C-02722	Shaft		1
38	GB70	Hex Socket Cap Head Screws	M6x20	3
39	C6140W-02106	Pump Support		1
40	GB1096	Key	4 x 16	1
41	DB-B4			1
43	C6266C-02740	Bolt		2
44	C6266C-02736	Cover		2
45	GB3452.1	Ring Seal	65x3.55	2

46	6306	Bearing		3
47	C6266C-02735	II Shaft		1
48	C6266C-02734	Gear		1
49	C6266C-02733	Gear		1
50	C6266C-02732	Gear		2
51	C6266C-02737	Circlip		1
52	C6266C-02718	IV Shaft		1
53	C6266C-02720	Gear		1
54	C6266C-02719	Gear		1
55	C6266C-02103	Sleeve		
56	6207	Bearing		2
57	GB3452.1	Ring Seal	25x2.65	1
58	C6266C-02729	II b Shaft		
59	GB893.1		47	2
60	6005	Bearing		2
61	C6266C-02104	Sleeve		1
62	C6266C-02726	Gear		
63	GB1096	Key	8x12	1
64	C6266C-02725	Braking Wheel		
65	GB73	Set Screws	M5x8	1
66	C6266C-02741	Gear		
67	GB1096	Key	10x40	1
68	C6266C-02738	Gear		
69	C6266C-02742	Gear		
70	GB894.1	Circlip For Shaft	55	1
71	C6266C-02739	III Shaft		
72	GB1099	Half Circle Key	6 x 22	
73	6208	Bearing		1
74	C6266C-02717	Gear		
75	C6266C-02716	Gear		
76	32208	Bearing		1
77	GB894.1	Circlip For Shaft	55	1
78	C6266C-02715	Gear		
79	C6140W-02733	Clamping Sleeve		3
80	C6266C-02714	Gear		
81	C6266C-02713	V Shaft		
82	32308	Bearing		1
83	C6140W-02103	VI Shaft Plug		
84	GB3452.1	Ring Seal	82.5x3.55	1
85	C6140W-02717	Socket Head Screw		1
86	GB6173	Nut	M16x1.5	1

Headstock Assembly IV



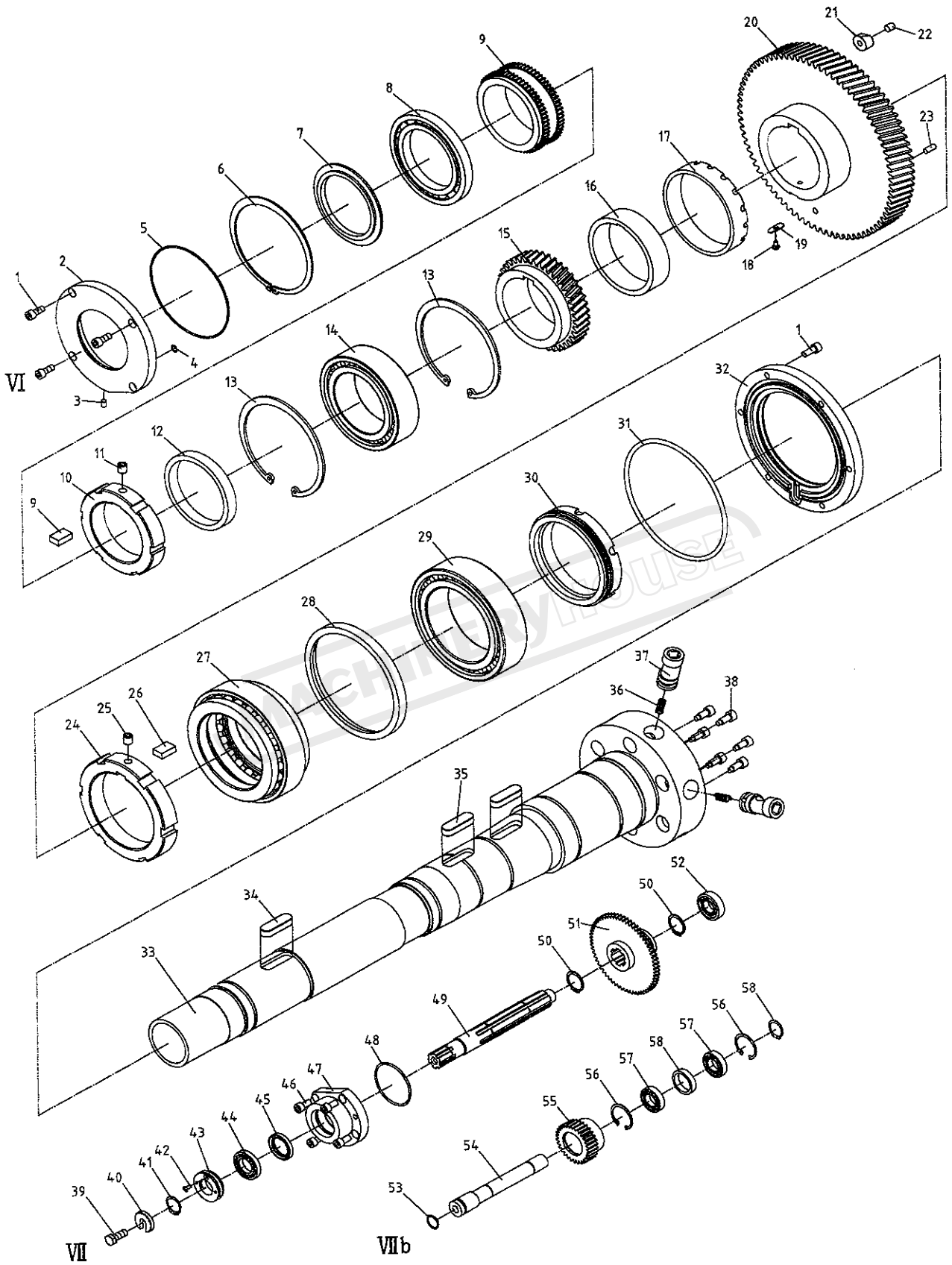
Headstock Assembly V

Index No.	Part No.	Description	Size	Qty.
1	GB70	Hex Socket Cap Head Screws	M10x25	6
2	C6266C-02108	Back Flange Cover	M6x6	1
3	GB119	Pin	6x8	1
4	B2464	Belt		4
5	GB3452.1	Ring Seal	18x2.65	1
6	GB894.1	Circlip For Shaft	120	1
7	C6266C-02744	Bearing Back Circlip		1
8	16024	Bearing		1
9	C6266C-02743	Double Gear		1
10	C6266C-02702	Round Nut		1
11	GB77	Hex Socket Set Screws	M12x12	3
12	C6266C-02703	Circlip		1
13	GB893.1	Circlip For Bore	200	2
14	NN3026K	Bearing		1
15	C6266C-02704	Gear		1
16	C6266C-02705	Thread Sleeve		1
17	C6266C-02706	Nut		1
18	GB67		M6x10	1
19	C6140W-02715	Fixing Plate		2
20	C6266C-02707	Gear		1
21	C6140W-02704	Balance Block		6
22	GB78	Hex Socket Set Screws	M8x12	6
23	GB119	Pin	6x16	1
24	C6266C-02708-1	Round Nut		1
25	GB79	Hex Socket Set Screws	M12x16	3
26	C6266C-02708-2	Pin		3
27	2268930	Bearing		1
28	C6266C-02709	Bearing Circlip		1
29	NN3030K	Bearing		1
30	C6266C-02710	Round Nut		1
31	GB3452.1	Ring Seal	250x5.3	1
32	C6266C-02102	Front Flange Cover		1
33	C6266C-02701	Spindle		1
34	GB1096	Key	10x40	1
35	GB1096	Key	10x50	2
36	Q81-1	Spring	1x8x16	6
37	C6266C-02711	Cam		1
38	C6266C-02712	Positioning Screw		1
39	GB5782	Hex Head Bolts	M12x30	1
40	GB85	Set Screw	12	1
41	GB894.1	Circlip For Shaft	30	1
42	GB68	Slotted Head Screws	M5x12	1
43	C6140W-02776	Adjust Screw		1

44	6006	Bearing		1
45	GB13871	Seal	B-35x51x8	1
46	GB70		M10x20	4
47	C6266C-02110	Bearing Cover		
48	GB13871	Seal	B-35 x51 x8	1
49	C6266C-02747	VII Shaft		
50	GB894.1		35	2
51	C6266C-02746	Gear		1
52	6205	Bearing		1
53	GB3452.1	Ring Seal	10x1.8	1
54	C6266C-02748	VII b Shaft		1
55	C6266C-02745	Gear		1
56	GB893.1	Circlip For Bore	47	2
57	6005	Bearing		2
58	GB894.1	Circlip For Shaft	25	1
59	C6266C-02109	Sleeve		1

MACHINERYHOUSE

Headstock Assembly V

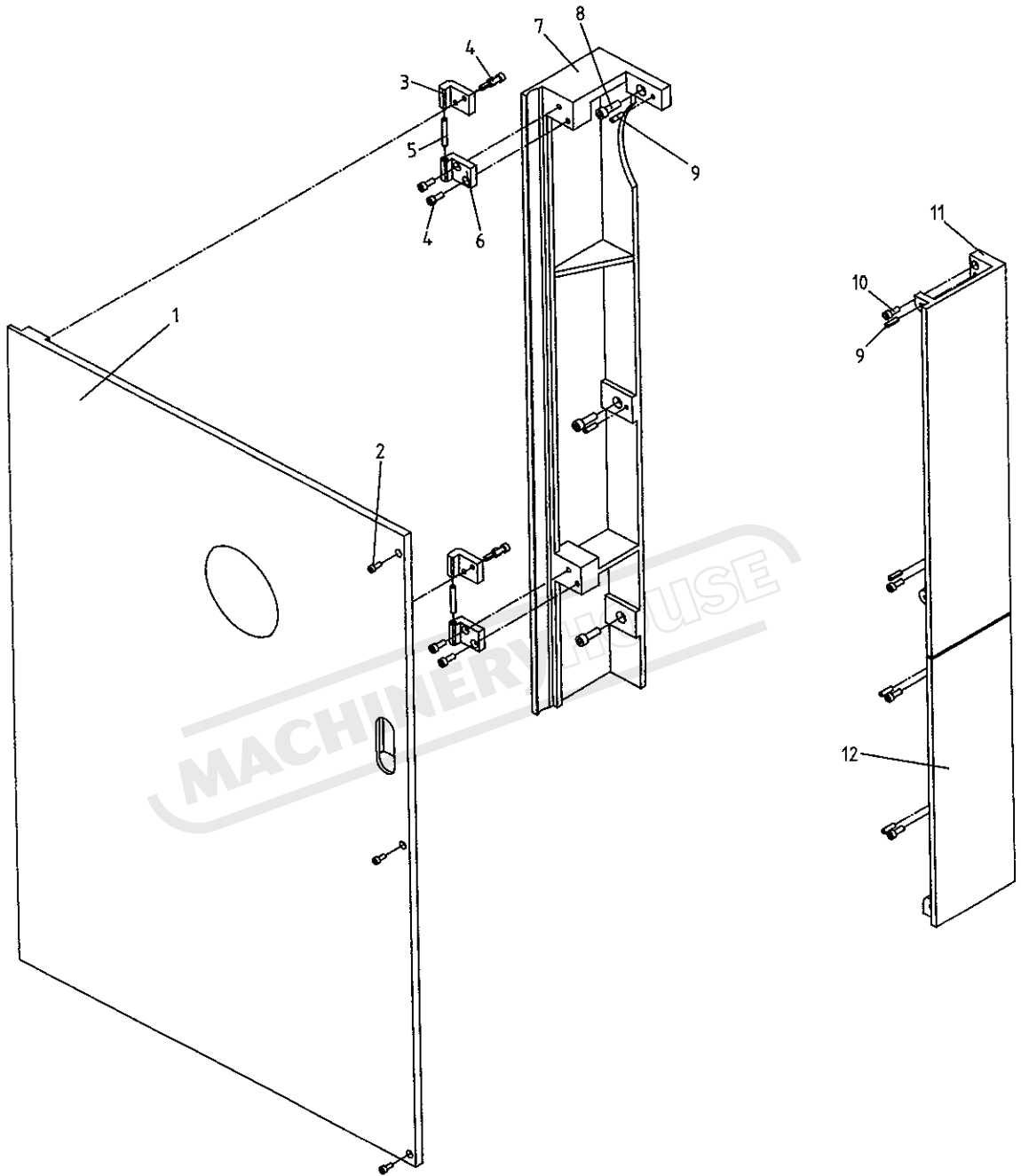


Headstock Assembly III

Index No.	Part No.	Description	Size	Qty.
1	C6266C-08501	Back Cover		1
2	GB70	Hex Socket Cap Screw	M5x12	3
3	C6266C-08706	Upper Hinge		2
4	GB879	Straight Pin	5x20	2
5	GB119	Pin	6h8x40	2
6	C6266C-08707	Lower Hinge		2
7	C6266C-08504	Rear Side Plate		1
8	GB70	Hex Socket Cap Screw	M6x16	8
9	GB879	Straight Pin	5x20	4
10	GB70	Hex Socket Cap Screw	M6x14	
11	C6266C-08502	Upper Front Side Plate		1
12	C6266C-08503	Lower Front Side Plate		1

MACHINERYHOUSE

Headstock Assembly III

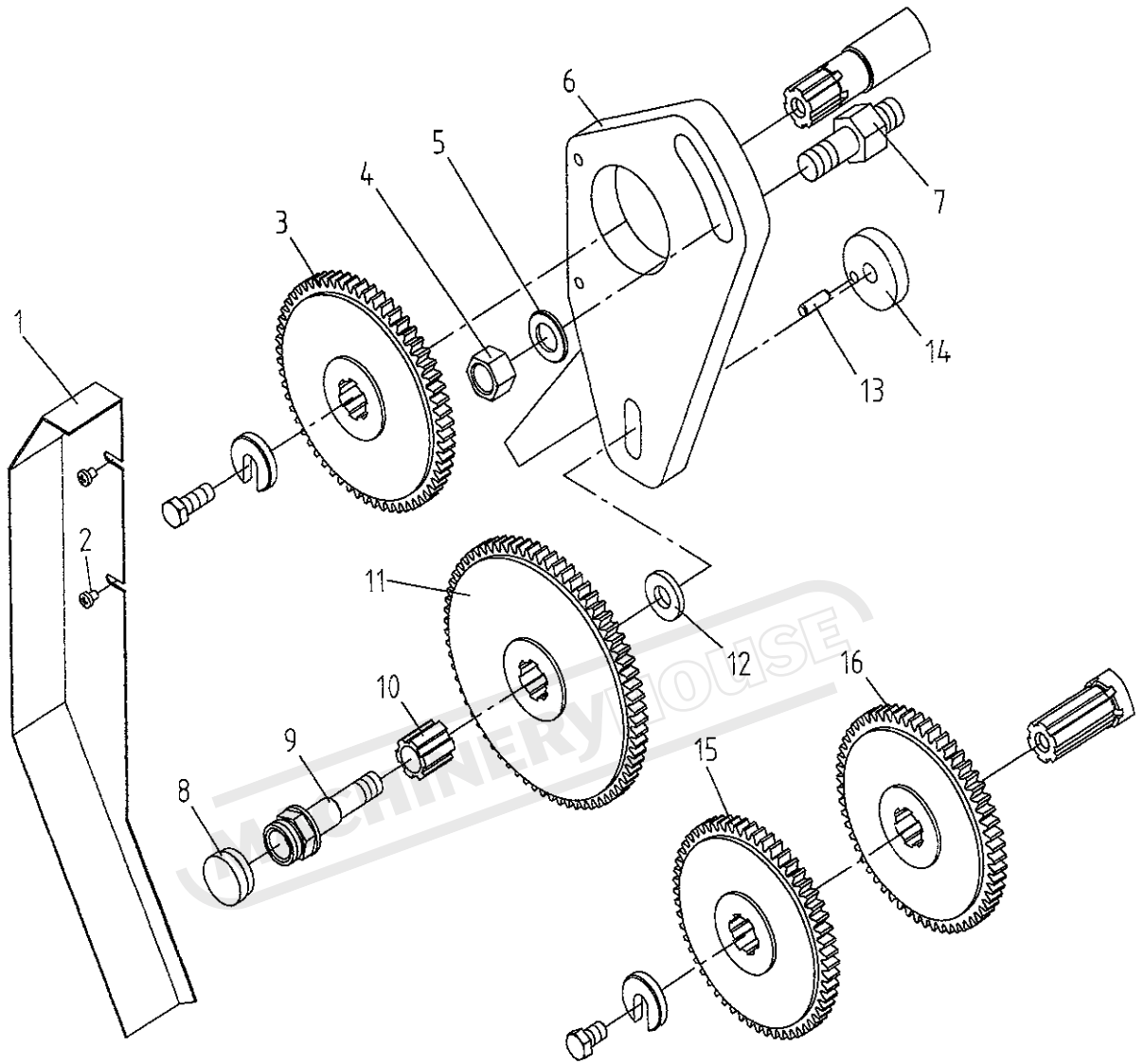


Gear Assembly

Index No.	Part No.	Description	Size	Qty.
1	C6266C-08708	Splash Guard		1
2	GB818		M6x8	2
3	C6266C-08702 (m)	Gear	2.75m60T	1
	C6266C-08702 (i n)	Gear	2m82T	1
4	GB6172	Nut	M20	1
5	GB97.2	Washer	20	1
6	C6266C-08101	Gear Frame		1
7	C6266C-02776	Bolt		1
8	C6140W-08703	Nut Cover		1
9	C6140W-08702	Gear Shaft		1
10	C6140W-08301	Spline Sleeve		1
11	C6266C-08102 (m)	Gear	2.75m69T	1
	C6266C-08102 (i n)	Gear	2m97T	1
12	C6266C-08701	Washer		1
13	GB119	Pin	8n6x20	1
14	C6140W-08704	Position Nut		1
15	C6266C-08703 (m)	Gear	2.75m56T	1
	C6266C-08703 (i n)	Gear	2m81T	1
16	C6266C-08704 (m)	Gear	2.75m57T	1
	C6266C-08704 (i n)	Gear	2m69T	1

MACHINERY PARTS

Gear Assembly

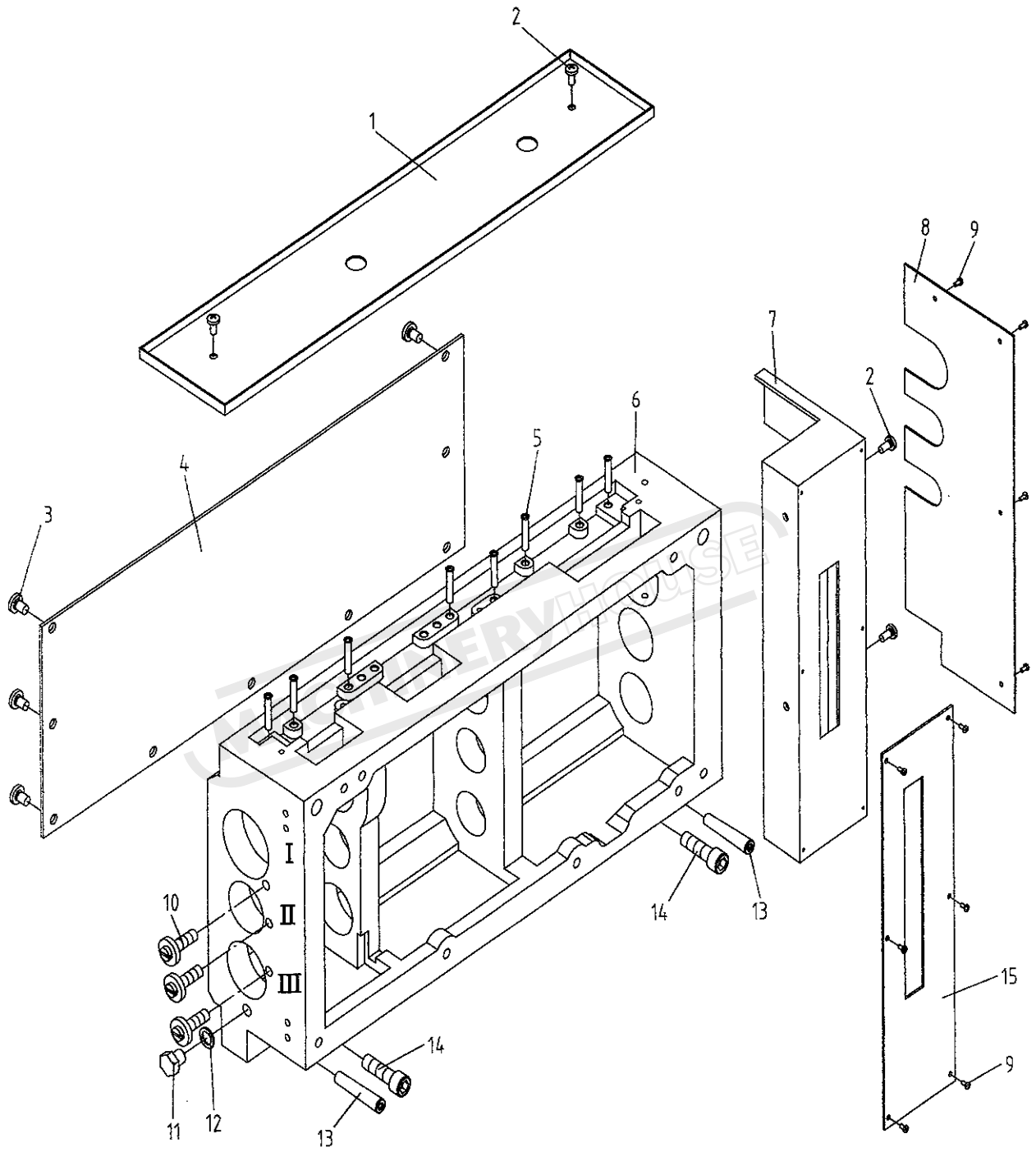


Gear Box Assembly I

Index No.	Part No.	Description	Size	Qty.
1	C6140W-05504	Upper Cover		1
2	GB70	Hex Socket Cap Screw	M6x40	2
3	GB818	Cross Recessed Pan Head Screws	M8x12	9
4	C6140W-05729	Back Cover		1
5	C6140W-05302	Copper Pipe		12
6	C6140W-05101	Feed Box Casting		1
7	C6140W-05766	Casting		1
8	C6140W-05765	Side Splash Guard		1
9	GB818	Cross Recessed Pan Head Screws	M3x6	8
10	C6140W-05728	Bolt With Washer		3
11	G38-2A	Bolt	M12x1.5	1
12	G52-1	Washer	12	1
13	GB118	Taper Pin	10x60	2
14	GB70	Hex Socket Cap Screw	M12x40	2
15	C6140W-05303	Panel		1

MACHINERYHOUSE

Gear Box Assembly I



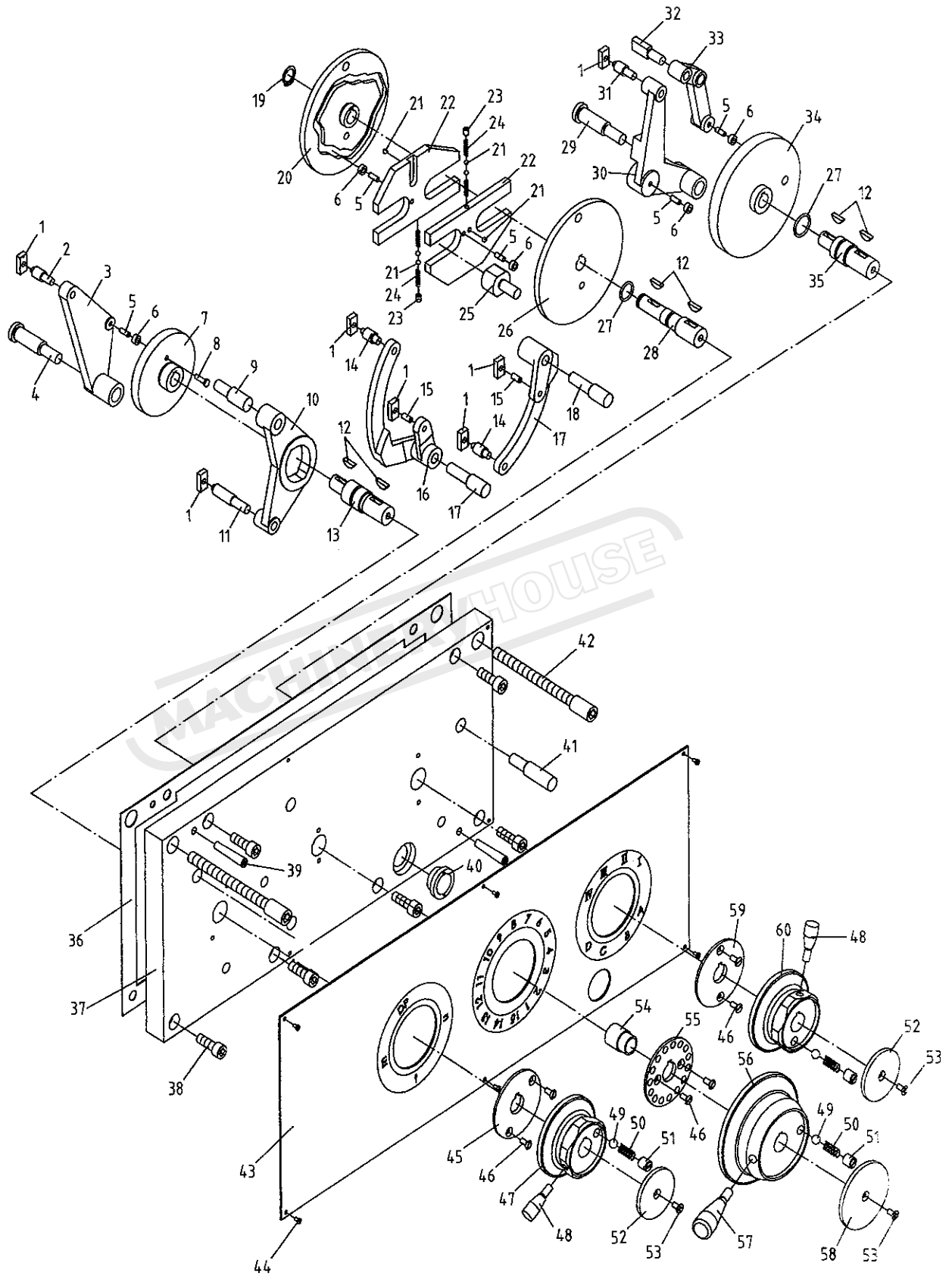
Gear Box Assembly II

Index No.	Part No.	Description	Size	Qty.
1	C6140W-05109	Sliding Block		7
2	C6140W-05701	Shaft		2
3	C6140W-05105	Ratio Change Rocker		1
4	C6140W-05709	Rocker Shaft		2
5	GB119	Pin	5x14	6
6	C6140W-05720	Roller		6
7	C6140W-05708	Cam		1
8	C6140W-05703	Roller Shaft		1
9	C6140W-05702	Shaft		1
10	C6140W-05103	Rocker		1
11	C6140W-05710	Shaft		1
12	GB1099	Key	5x19	6
13	C6140W-05707	Shaft		
14	C6140W-05711	Shaft		
15	GB119	Pin	6x14	2
16	C6140W-05110	Shaft		1
17	C6140W-05106	Upper Rocker		1
18	C6140W-05712	Shaft		1
19	GB894.1	Circlip For Shaft	16	1
20	C6140W-05717	Cam		1
21	GB308	Steel Ball	5	6
22	C6140W-05719	Pulley		2
23	GB73		M6x8	2
24	Q81-1	Spring	0.6x4 x20	4
25	C6140W-05718	Positioning Column		1
26	C6140W-05109	Sliding Block		
27	G51-2A	Ring Seal	25 x2.4	2
28	C6140W-05716	Handle Axle		1
30	C6140W-05112	Rocker		1
31	C6140W-05721	Shaft		1
32	C6140W-05722	Shaft		1
33	C6140W-05111	Rocker		1
34	C6140W-05725	Cam		1
35	C6140W-05723	Shaft		1
36	C6140W-05501	Washer		1
37	C6140W-05115	Front Cover		1
38	GB70	Hex Socket Cap Screw	M10x30	6
39	GB118	Pin	8x50	2
40		Oil Sight Glass		1
41	C6140W-05721	Shaft		1
42	C6140W-05727	Hex Socket Cap Screw		
43	C6140W-05301	Panel		
44	GB818	Cross Recessed Pan Head Screws	M3x6	6

45	C6140W-05704	Positioning Disc		
46	GB68	Slotted Head Screws	M6x12	6
47	C6140W-05104	Lever Support		
48	C6140W-05705	Lever		2
49	GB308	Steel Ball	10	3
50	Q81-1	Spring	1.6x8 x28	3
51	GB73	Slotted Set Screws	M12x14	3
52	C6140W-05706	Disk		2
53	GB819	Cross Recessed Head Screws	M5x12	3
54	C6140W-05108	Sleeve		1
55	C6140W-05713	Positioning Disc		1
56	C6140W-05107	Lever Support		1
57	C6140W-05714	Lever		1
58	C6140W-05715	Cover		1
59	C6140W-05724	Positioning Disc		1
60	C6140W-05113	Lever Support		1

MACHINERYHOUSE

Gear Box Assembly II



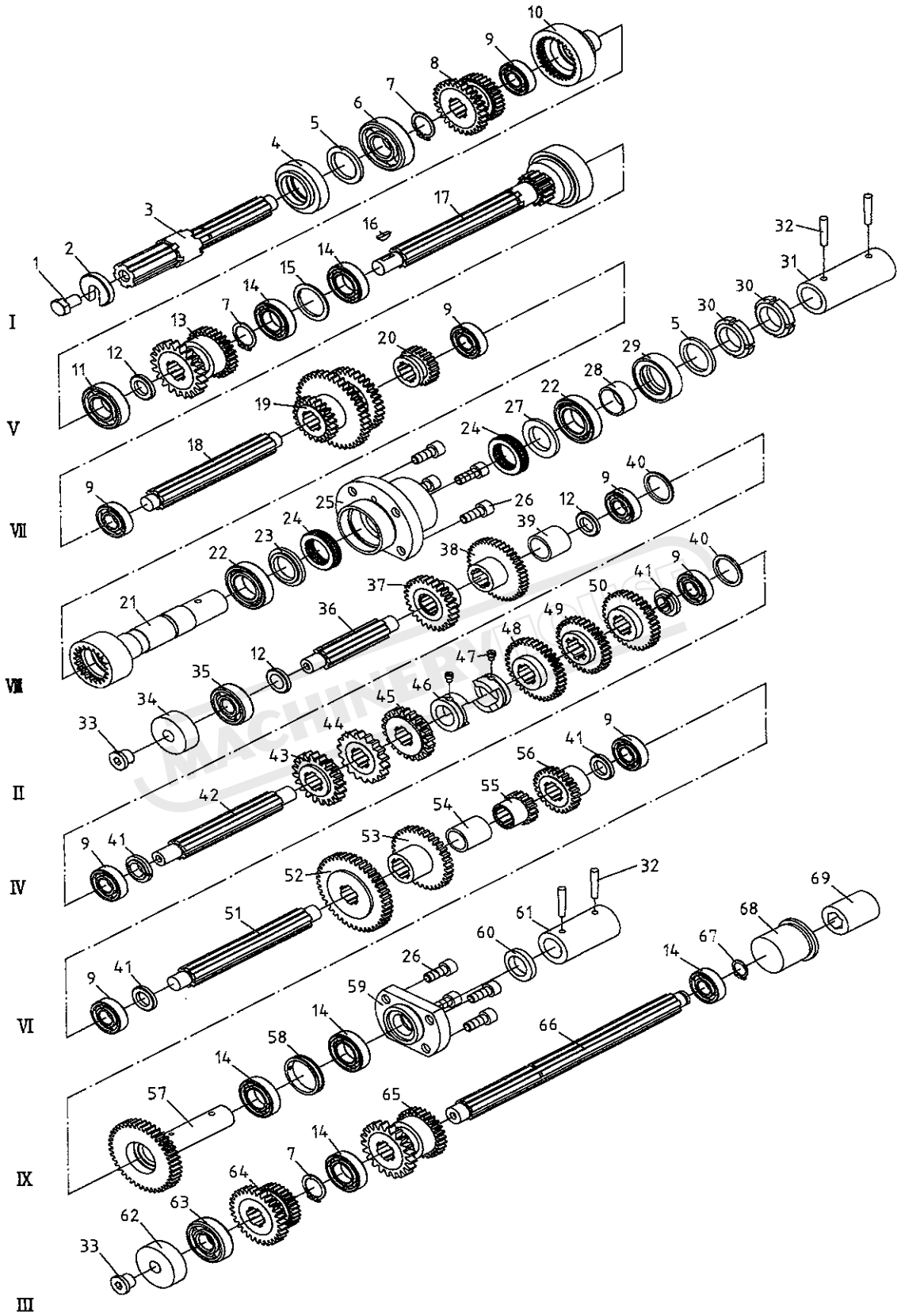
Gear Box Assembly III

Index No.	Part No.	Description	Size	Qty.
1	GB5783	Hexagon Head Bolts	M12x20	1
2	GB851	Washers With Split	A12x40	1
3	C6140W-05730	I Shaft		1
4	C6140W-05116	Bearing Cover		1
5	G51-1	Felt Washer	35	2
6	6305	Bearing	25x62x17	1
7	GB894.1	Circlip For Shaft	25	3
8	C6140W-05731	Double Gear		1
9	6203	Spring	17x40x12	7
10	C6140W-05732	Gear		1
11	6205	Spring	25x52x15	1
12	C6140W-05127	Washer		3
13	C6140W-05733	Double Gear		2
14	6005	Spring	25x47x12	4
15	C6140W-05736	Sleeve		2
16	GB1099	Key	4x16	1
17	C6140W-05735	V Shaft		
18	C6140W-05738	VII Shaft		
19	C6140W-05737	Tripple Gear		
20	C6140W-05739	Gear		
21	C6140W-05743	VIII Shaft		
22	16006	Spring	30x55x9	2
23	C6140W-05740	Sleeve		2
24	51106	Spring	30x47x11	2
25	C6140W-05117	Flange Sleeve		
28	C6140W-05118	Sleeve		
29	C6140W-05741	Bearing Cover		
30	C6140W-05742	Round Nut		2
31	C6140W-05119	Shaft		
32	GB117	Taper Pin	6x40	4
33	G38-4A		M16x1.5	2
34	C6140W-05128	Bearing Cover		
35	6303	Spring	17x47x14	
36	C6140W-05762	II Shaft		
37	C6140W-05763	Gear		
38	C6140W-05764	Gear		
39	C6140W-05125	Sleeve		
40	C6140W-05751	Sleeve		2
41	C6140W-05752	Adjust Washer		4
42	C6140W-05754	IV Shaft		
43	C6140W-05759	Gear		
44	C6140W-05758	Gear		
45	C6140W-05757	Gear		

46	C6140W-05734	Positioning Sleeve	
47	GB75	Slotted Set Screws	M8x10.....2
48	C6140W-05756	Gear	
49	C6140W-05755	Gear	
50	C6140W-05753	Gear	
52	C6140W-05750	Gear	
53	C6140W-05748	Gear	
54	C6140W-05124	Sleeve	
55	C6140W-05747	Gear	
56	C6140W-05746	Gear	
57	C6140W-05745	IX Shaft	
58	C6140W-05744	Sleeve	
59	C6140W-05121	Flange Sleeve	
60	G51-1	Felt Washer	25
61	C6140W-05120	Shaft Connector	
62	C6140W-05126	Bearing Cover	
63	6304	Spring	20x52x15
64	C6140W-05761	Double Gear	
66	C6140W-05760	III Shaft	
67	GB894.1	Circlip For Shaft	17
68	C6140W-05123	Sleeve	
69	C6140W-05122	Sleeve	

MACHINERYHOUSE

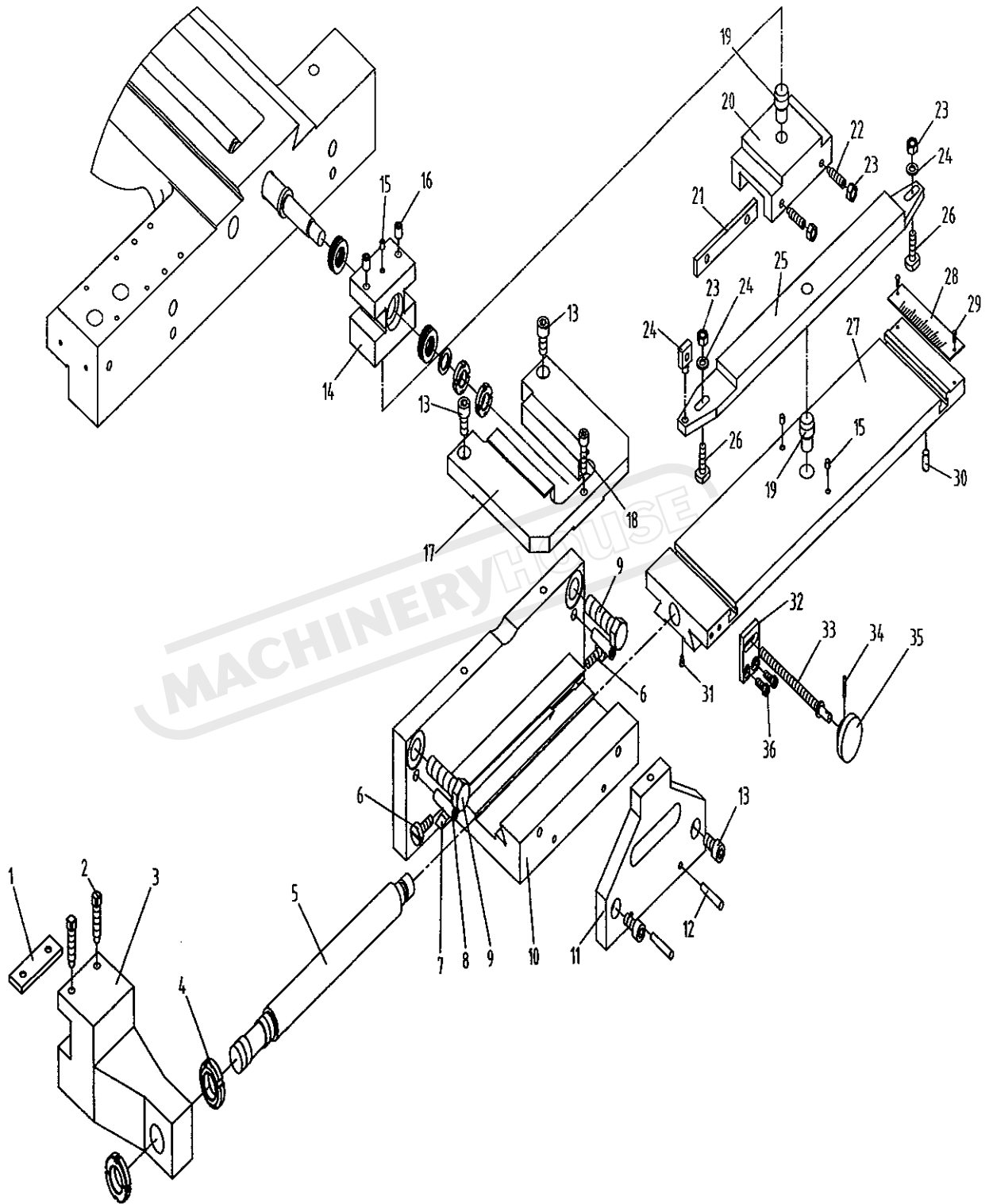
Gear Box Assembly III



Taper Assembly

Index No.	Part No.	Description	Size	Qty.
1	C6266C-15103	Slide Gib		1
2	GB83	Square Cap Bolt	M10x40	2
3	C6266C-15102	Block		1
4	GB812	Round Nut	M24x1.5	2
5	C6266C-15707	Pulling Rod		1
6	C6266C-15711	Adjust Bolt		2
7	C6266C-15710	Slide Gib		1
8	GB118	Taper Pin	10x40	2
9	GB5781	Hex Bolt	M16x55	2
10	C6266C-15104	Sliding		1
11	C6266C-15106	Bracket		1
12	GB118	Pin	6x40	2
13	GB70	Hex Socket Cap Screw	M10x20	4
14	C6266C-15708	Slide Block		1
15	GB1155	Oil cup	6	3
16	GB77	Hex Socket Set Screws	M10x14	2
17	C6266C-15105	Positioning Block		1
18	GB70	Hex Socket Cap screw	M8x30	1
19	C6266C-15709	Positioning Column		2
20	C6266C-15107	Slide Block		1
21	C6266C-15108	Slide Gib		1
22	GB75	Slotted Cylindrical End Set Screw	M8x30	2
23	GB6170	Hex Nut	M8	4
24	GB97.2	Plain Washers	8	2
25	C6266C-15702	Guiding Plate		1
26	C6266C-15701	T-Bolt		2
27	C6266C-15101	Slide Block		1
28	C6266C-15301	Sign Block		1
29	GB827	Rivet	3x8	2
30	GB71	Slotted Set Screw	M8x18	1
31	GB75		M6x8	1
32	C6266C-15705	Positioning Block		1
33	C6266C-15704	Screw		1
34	GB117	Pin	3x20	1
35	C6266C-15706	Knob		1
36	GB65	Ball End Bolt	M6x16	2
37	C6266C-15703	Guiding Block		1
38	GB97.2		16	2

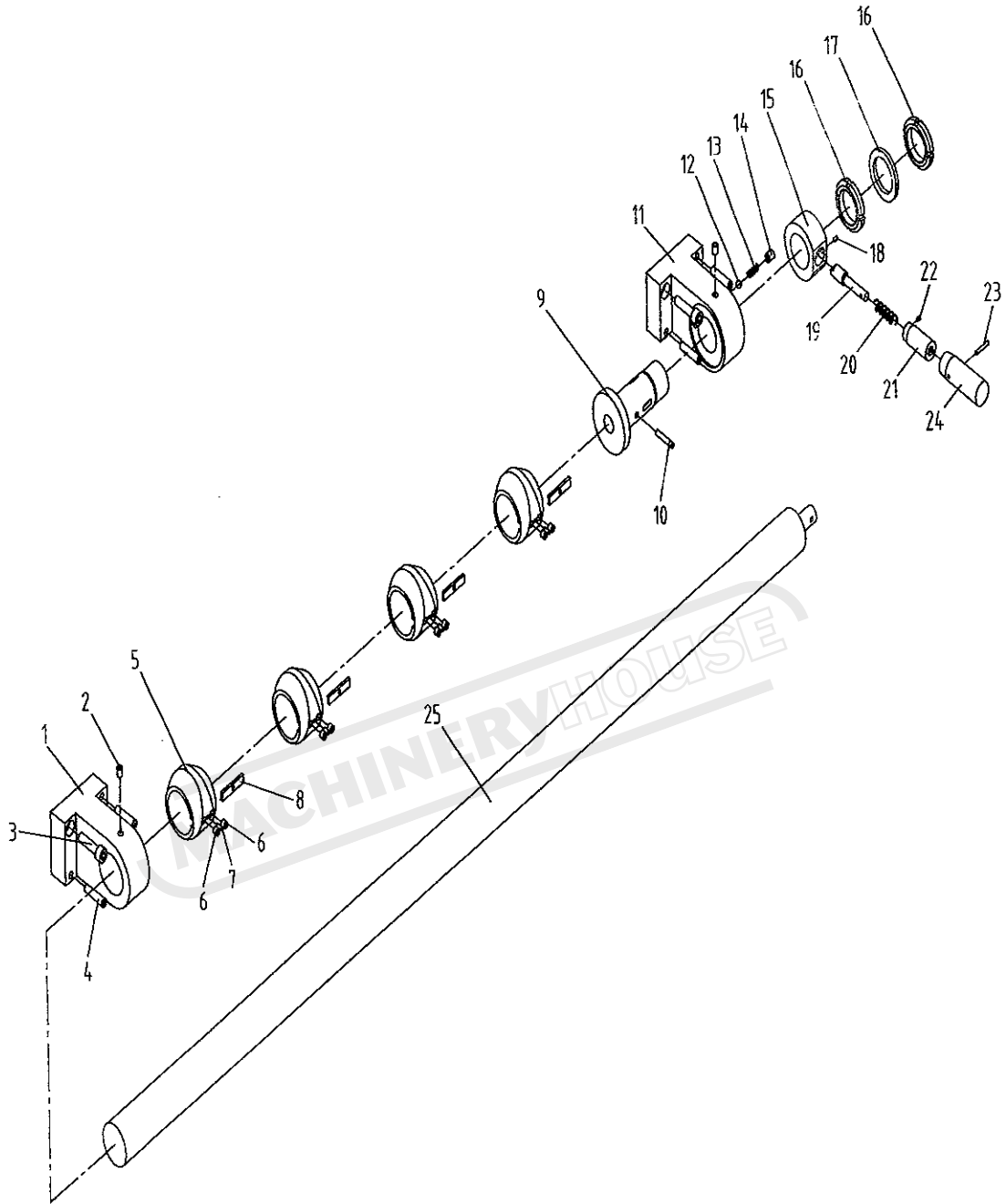
Taper Assembly



Micro Carriage Stop Assembly

Index No.	Part No.	Description	Size	Qty.
1	C6266C-26102	Left Support		1
2	GB1155	Oil Cap	8	2
3	GB70	Hex Socket Cap Screw	M10x40	4
4	GB118	Pin	8x40	4
5	C6266C-26712	Eccentric Travel Setting Ring		6
6	GB77	Hex Socket Set Screws	M8x8	12
7	GB119		4x10	6
8	C6266C-26713	Locking Key		6
9	C6266C-26706	Shaft Connector		1
10	GB117	Taper Pin	6x35	1
11	C6266C-26101	Right Support		1
12	GB308	Steel Ball	8	1
13	GB2089	Spring	1.5x8 x20	1
14	GB77	Hex Socket Set Screws	M10x40	1
15	C6266C-26701	Sleeve		1
16	GB812	Round Nut	M39x1.5	2
17	C6266C-26702	Sleeve		1
18	GB71	Slotted Set Screws	M4x8	1
19	C6266C-26704	Sliding Axle		1
20	GB2089	Spring	1.2x13 x40	1
21	C6266C-26703	Sleeve		1
22	GB75	Slotted Set Screws	M4x6	1
23	GB117	Taper Pin	4x25	1
24	C6266C-26705	Handle		1
25	C6266C-26707A (1000 Size)	Travel Setting Rod		1
	C6266C-26707B (1500 Size)			1
	C6266C-26707C (2000 Size)			1
	C6266C-26707CN (2200 Size)			1
	C6266C-26707D (3000 Size)			1

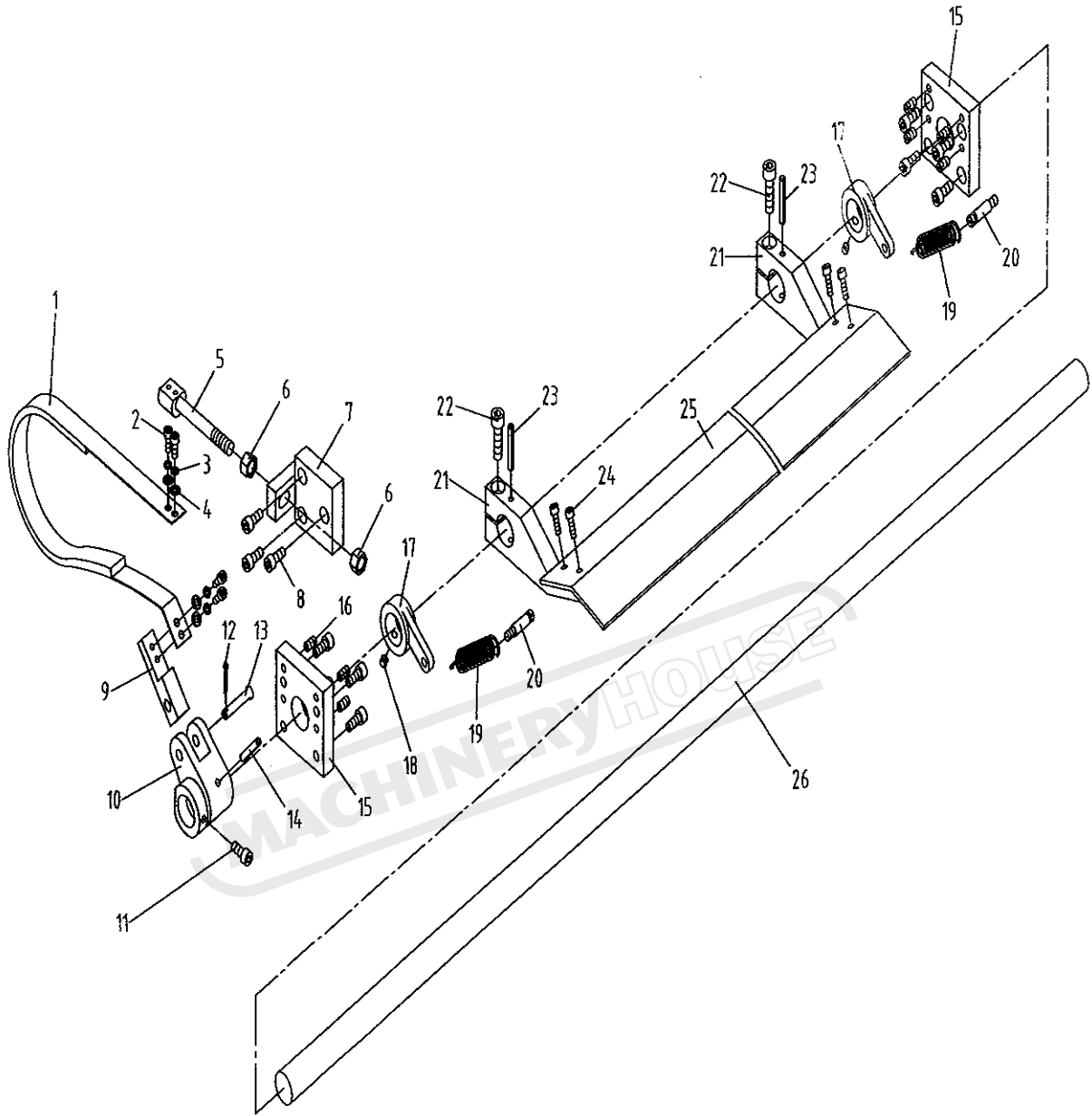
Micro Carriage Stop Assembly



Brake Assembly

Index No.	Part No.	Description	Size	Qty.
1	C6266C-22705	Braking Belt		1
2	GB70	Hex Socket Cap Screw	M6x14	4
3	GB97	Plain Washers	6	4
4	GB93	Spring Lock Washers	6	4
5	C6266C-22704	Bolt		1
6	GB6170		M12	2
7	C6266C-22103	Braking Belt Support		1
8	GB70	Hex Socket Cap Screw	M8x20	3
9	C6266C-22706	Brake Black		1
10	C6266C-22104	Fork		1
11	GB70	Hex Socket Cap Screw	M8x20	1
12	GB91		3x20	1
13	GB73	Slotted set screws	M8x16	3
14	GB879		6x45	1
15	C6266C-22101	Support		2
16	GB73	Slotted Set Screws	M8x16	6
17	C6266C-22102	Brake Support		2
18	GB77	Hex Socket Set Screws	M8x8	2
19	Q81-1	Spring	2.5x18 x80	2
20	C6266C-26702	Screw		2
21	C6266C-22105	Brake Support		2
22	GB70	Hex Socket Cap Screw	M10x35	3
23	GB879		6x45	3
24	GB70	Hex Socket Cap Screw	M6x20	4
25	C6266C-22708A (1000 Size)	Pedal		1
	C6266C-22708B (1500 Size)			1
	C6266C-22708C (2000 Size)			1
	C6266C-22708CN (2200 Size)			1
	C6266C-22708D (3000 Size)			1
26	C6266C-22703A (1000 Size)	Shaft		1
	C6266C-22703B (1500 Size)			1
	C6266C-22703C (2000 Size)			1
	C6266C-22703CN (2200 Size)			1
	C6266C-22703D (3000 Size)			1
27	GB97	Hex Socket Set Screws	12	2
28	C6266C-22107	Side Cut Sleeve		1
29	GB70	Hex Socket Cap Screw	M8x20	12

Brake Assembly

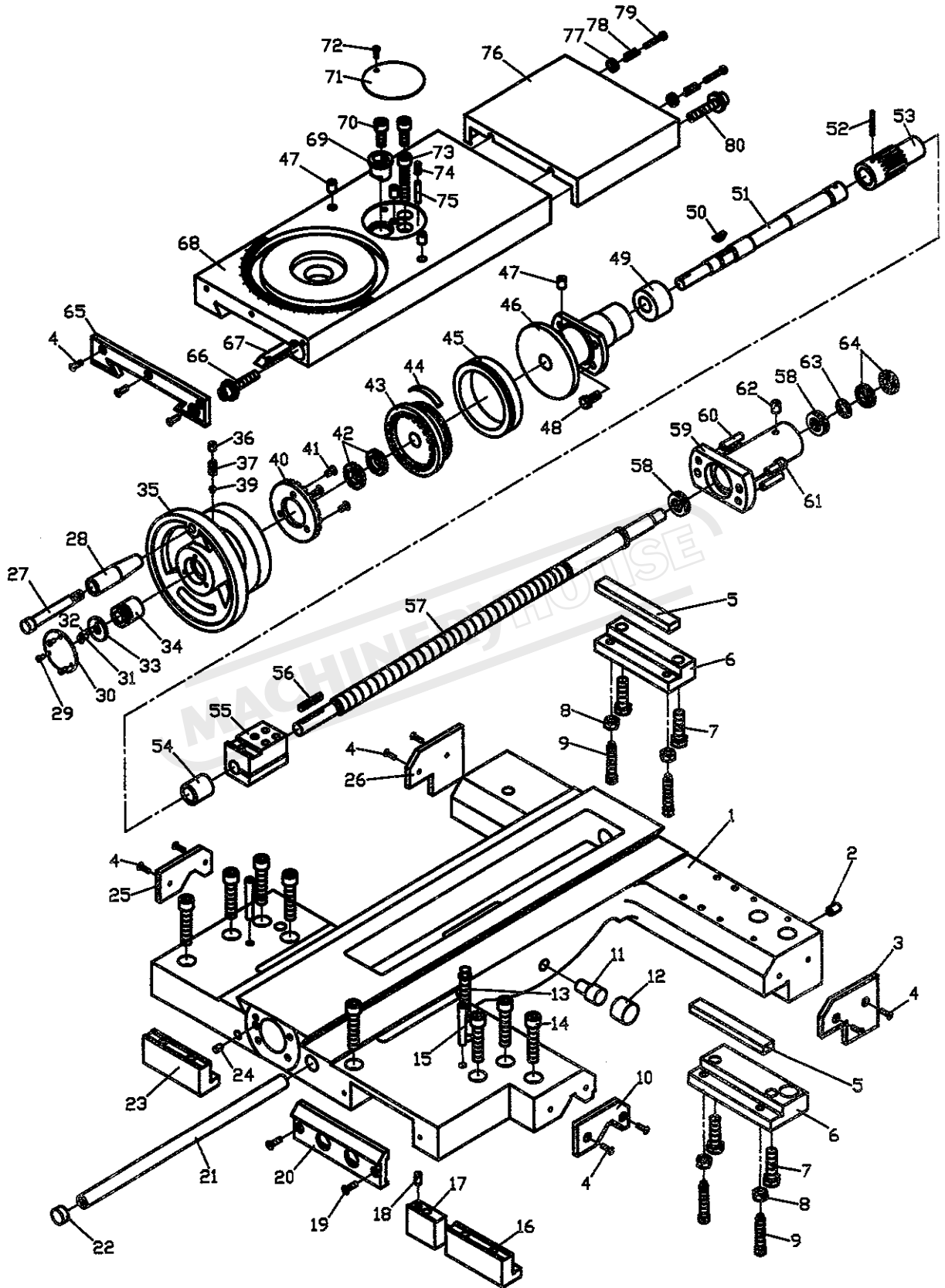


Tool Post Assembly I

Index No.	Part No.	Description	Size	Qty.
1	C6266C-04101	Slide		1
2	GB73	Slotted Set Screw	M10x16	1
3	C6140W-04503	Wipe Plate		1
4	GB819	Cross Recessed Head Screw	M5x16	8
5	C6140W-04107	Lining Plate		1
6	C6140W-04718	Clamping Plate		1
7	GB70	Hex Socket Cap Screw	M12x45	4
8	GB6170	Hex Nut	M12	4
9	GB85	Square Set Screw	M10x35	4
10	C6140W-04501	Wipe Plate		1
11	1440R-04788	Stop Pin		1
12	1440R-04507	Stop Pin Cap		1
13	GB83	Square Cap Bolt	M12x70	1
14	GB70	Hex Socket Cap Screw	M12x55	8
15	GB119	Pin	8x60	2
16	C6140W-04713	Front Clamping Plate		2
17	C6140W-04712	Locking Plate		1
18	GB119	Pin	8n6x20	1
19	GB68	Recessed Sunk Head Screw	M6 x 22	2
20	C6140W-04715	Switch Seat		1
21	C6140W04711	Line Pipe		1
22	C6140W04106	Plug		1
23	C6140W04720	Back Clamping Block		1
24	GB119	Pin	8n6x10	1
31	C6140W-04505	Wipe Plate		1
32	C6140W-04504	Wipe Plate		1
27	C6266C-04721	Lever Shaft		1
28	C6266C-04722	Lever Sleeve		1
29	GB818	Cross Head Screw	M4x8	3
30	C6266C-04306	Panel		1
31	GB819	Cross Recessed Head Screw	M5x12	1
32	GB119	Pin	3n6x10	1
33	C6266C-04725	Cover		1
34	C6266C-04724	Sleeve		1
35	C6266C-04108	Handle		1
36	GB73	Slotted Set Screw	M8x10	1
37	Q81-1	Spring	0.8x6x12	1
39	C6266C-04733	Positioning Pin		1
40	C6266C-04720	Connector		1
41	GB819	Cross Recessed Head Screw	M5x14	3
42	GB812	Round Nut	M18x1.5	2
43	C6266C-04719	Connector		1
44	C6266C-04718	Spring Leaf		1

45	C6140W-04705A(m)	Dial		1
	C6266C-04735A(in)	Dial		1
46	C6140W-04107	Screw Support		1
47	GB1155	Oil Cupt	6	1
48	GB70	Hex Socket Cap Screw	M8x20	4
49	C6266C-04109	Sleeve		1
50	GB1099	Half Circle Key	5x7.5x19	1
51	C6266C-04726	Shaft		1
52	GB117	Taper Pin	4x35	1
53	C6266C-04705	Shaft		8
54	C6266C-04103	Sleeve		1
55	C6140W-04301(m)	Nut		1
	C6266C-04304YA(in)	Nut		1
56	GB1096	Flat Key		
57	C6266C-04701(m)	Lead Screw		1
	C6266C-04701A(in)	Lead Screw		1
58	51103	Thrust Bearing	17x30x9	2
59	C6266C-04110	Bracket		1
60	GB117	Taper Pin	8x40	2
61	GB70	Hex Socket Cap Screw	M8x20	2
62	GB1155	Oil Cap	6	1
63	C6266C-04702	Washer		1
64	GB812	Round Nut	M14x1.5	2
65	C6266C-04501	Wipe Plate		1
66	C6266C-04727	Gib Setting Screw		1
67	C6266C-04728	Cross Slide Gib		1
68	C6266C-04102	Cross Slide		1
69	C6266C-04704	Sleeve		1
70	GB70	Hex Socket Cap Screw	M10x50	2
71	C6140W-04714	Cover		1
72	GB818	Cross Recessed Pan Head Screw	M5x8	2
73	GB70	Hex Socket Cap Screw	M10x40	1
74	GB73	Slotted Set Screw	M8x40	1
75	GB119	Pin	6x35	1
76	C6266C-04703	Splash Guard		1
77	C6140W-04722	Clamping Block		1
78	Q81-1	Spring	1.6x10x24	2
79	GB65	Slotted Socket Cap Screw	M6x50	2

Tool Post Assembly I



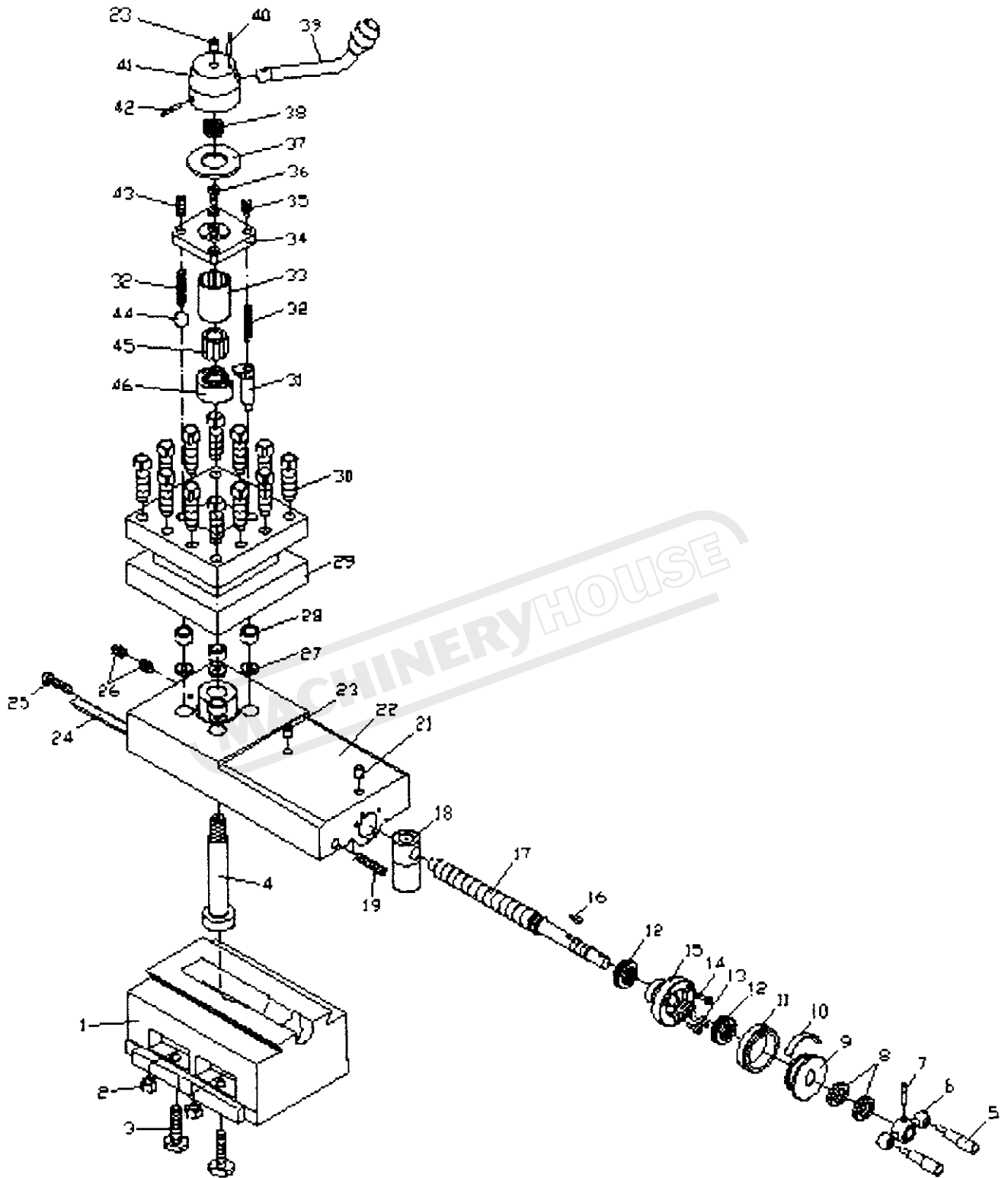
Tool Post Assembly II

Index	Part			
No.	No.	Description	Size	Qty.
1	C6266C-04104	Revolving Plate		1
2	GB6170	Hex Nut	M12	4
3	C6266C-04706	Compound Screw		4
4	C6266C-04707	Shaft		1
5	C6140W-04737	Handle		2
6	C6140W-04738	Lever		1
7	GB117	Taper Pin	5x30	1
8	GB812	Round Nut	M18x1.5	2
9	C6140W-04110	Dial		1
10	C6140W-04739	Spring Leaf		1
11	C6140W-04740(m)	Dial		1
	C6266C-04736A(in)	Dial		1
12	51104	Thrust Bearing	20x35x10	2
13	GB117	Taper Pin	4x25	2
14	GB70	Hex Socket Cap Screw	M5x14	3
15	C6140W-04111	Bearing		1
16	GB1099	Half Circle Key	5x7.5x19	1
17	C6140W-04741(m)	Lead Screw		1
	C6266C-04734A(in)	Lead Screw		1
18	C6266C-04301Y(m)	Nut		1
	C6266C-04301YA(in)	Nut		1
19	GB77	Hexagon Socket Set Screws	M12x70	1
21	GB1155	Oil Cup	10	1
22	C6266C-04105	Longitudinal Slide		1
23	GB1155	Oil Cup	6	3
24	C6266C-04717	Slide Gib		1
25	C6266C-04716	Adjust Screw		1
26	GB73	Slotted Set Screw	M10x20	2
27	C6140W-04727	Washer		4
28	C6140W-04728	Positioning Sleeve		4
29	C6266C-04708	Tool Post		1
30	GB83	Square Cap Bolt	M16x50	12
31	C6266C-04715	Positioning Pin		1
32	Q81-1	Spring	1.6x8x98	2
33	C6266C-04712	Spline		1
34	C6266C-04709	Flange Disc		1
35	C6140W-04732	Bolt		1
36	GB70	Hex Socket Cap Screw	M8x16	2
37	C6266C-04710	Adjust Washer		1
38	Q81-1	Spring	3x32x55	1
39	C6266C-04711	Handle		1
40	GB119	Pin	5n6x32	1
41	C6266C-04106	Lever Support		1

42	GB117	Taper Pin	4x40	1
43	GB73	Slotted Set Screw	M12x14	1
44	GB308	Boll	19	1
45	C6266C-04713	Connector		1
46	C6266C-04714	Connector		1



Tool Post Assembly II



Apron Assembly 1

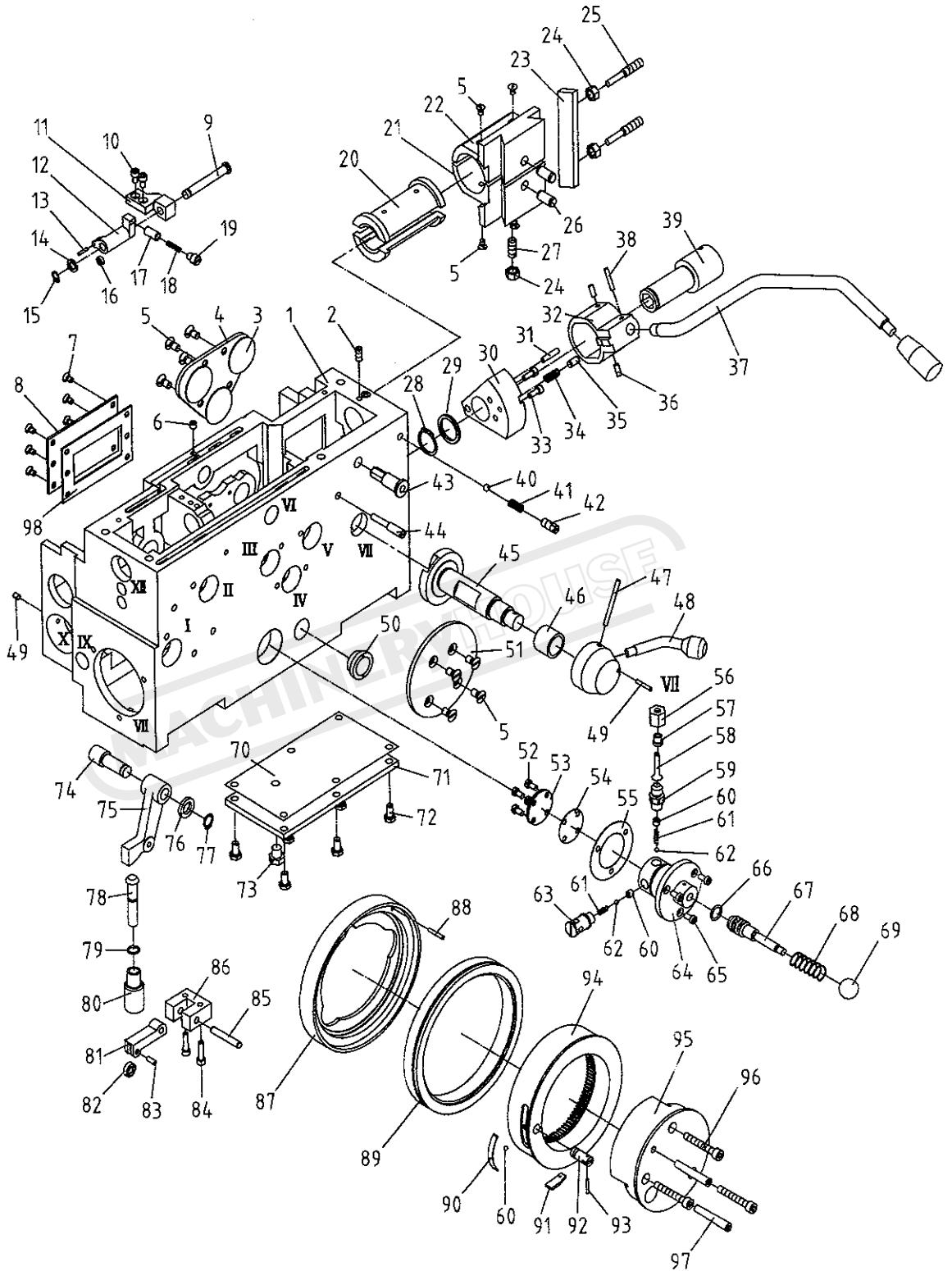
Index No.	Part No.	Description	Size	Qty.
1	C6266C-06101	Apron Casting		1
2	GB71	Set Screw	M8x10	1
3	C6266C-06506	Washer		3
4	C6140W-06750	Back Cover		1
5	GB819	Cross Recessed Head Screw	M8x16	8
6	GB3452.1	Ring Seal	8.75x1.8G	1
7	GB68	Slotted Head Screw	M6x10	1
8	C6140W-06731	Cover		1
9	C6266C-06719	Small Shaft		1
10	GB70	Hex Socket Cap Screw	M6x10	2
11	C6266C-06718	Limiting Support		1
12	C6266C-06108	Rocker		1
13	GB119	Pin	3n6x12	1
14	C6266C-06720	Washer		1
15	GB894.1	Circlip For Shaft	10	1
16	623	Bearing	3x10x4	1
17	C6266C-06729	Pin		1
18	Q81-1	Spring	1.2x6x28	1
19	GB75	Slotted Socket Set Screw	M12x16	1
20	C6140W-06302(m)	Half Nut		1
	C6266C-06306(in)	Half Nut		1
21	C6140W-06107	Upper Nut		1
22	C6140W-06108	Lower Nut		1
23	C6140W-06759	Gib		1
24	GB6170	Hex Nut	M10	2
25	C6140W-06758	Cylindrical End Set Screw		1
26	GB119	Pin	12x25	2
27	GB73	Slotted Set Screw	M10x25	1
28	GB894.1	Circlip For Shaft	30	1
29	C6140W-06755	Washer		1
30	C6266C-06105	Positioning Block		1
31	GB117	Taper Pin	6x35	1
32	C6266C-06106	Lever Support		1
33	GB70	Hex Socket Cap Screw	M6x16	2
34	Q81-1	Spring	1.2x8x22	1
35	GB119	Pin	8x14	1
36	GB119	Pin	6n6x18	2
37	C6266C-06711	Control Handle		1
38	GB117	Taper Pin	5x30	1
39	C6266C-06710	Positioning Sleeve		1
40	GB308	Steel Ball	10	1
41	Q81-1	Spring	1.5x8x35	1
42	GB73	Slotted Set Screw	m12x14	1

43	C6266C-06A780	Positioning Sleeve		1
44	C6140W-06716	Bolt		1
45	C6140W-06725	VII Shaft		1
46	C6140W-06303	Sleeve		1
47	GB119	Pin	5x60	1
48	C6266C-06716	Handle		1
49	GB119	Pin	5x25	1
50	R51-2	Oil Sight Glass	20	1
51	C6140W-06760	Front Cover		1
52	GB65	Slotted Socket Cap Screw	M6x10	4
53	C6266C-06713	Pump Cover		1
54	C6266C-06505	Washer		1
55	C6266C-06504	Washer		1
56	Y91-1A	Nut	8	1
57	C6266C-06727	Sleeve		1
58	T3-M	Copper Pipe	Ø6x0.75x450	1
59	C6266C-06726	Valve		1
60	C6266C-06714	Adjust Bolt		2
61	Q81-1	Spring	0.3x3x12	2
62	GB308	Steel Ball	5	2
63	C6266C-06715	Oil Purifier		1
64	C6266C-06107	Pump		1
65	GB65	Slotted Socket Cap Screw	M6x12	3
66	G51-2A	Ring Seal	20x2.4	1
67	C6266C-06712	Piston-rod		1
68	Q81-1	Spring	1.2x19x70	1
69	GB4141.11	Ball	M8x25	1
70	C6266C-06502	Washer		1
71	C6266C-06103	Botton Cover		1
72	GB70	Hex Socket Cap Screw	M8x12	6
73	GB38-2	Drain Plug	M12x1.5	1
74	C6266C-06725	Shaft		1
75	C6266C-06109	Rocker		1
76	C6266C-06724	Washer		1
77	GB894.1	Circlip For Shaft	15	1
78	C6266C-06721	Rod		1
79	G51-2A	Ring Seal	12x1.9	1
80	C6266C-06723	Sleeve		1
81	C6266C-06722	Block		1
82	606	Bearing	6x17x6	1
83	GB119	Pin	5n6x15	1
84	GB75	Slotted Socket Set Screw	M5x16	2
85	GB119	Pin	8n6x45	1
86	C6266C-06110	Positioning Block		1
87	C6140W-06116(m)	Bracket Disk		1
	C6266C-06116(in)	Bracket Disk		1
88	GB119	Pin	6x25	1

89	C6140W-06761(m)	Dial		1
	C6266C-06761(in)	Dial		1
90	C6140W-06769	Spring Leaf		1
91	C6140W-06767	Locked Knob		1
92	C6140W-06768	Eccentric Shaft		1
93	GB119	Pin	3n6x22	1
94	C6140W-06762(m)	Gear		1
	C6266C-06762(in)	Gear		1
95	C6140W-06117(m)	Bracket		1
	C6266C-06117(in)	Bracket		1
96	GB70	Hex Socket Cap Screw	M8x55	1
97	GB119	Pin	12n6x40	1
98	C6266C-06501	Washer		1
99	GB68	Slotted Head Screw	M6x12	4

MACHINERYHOUSE

Apron Assembly I

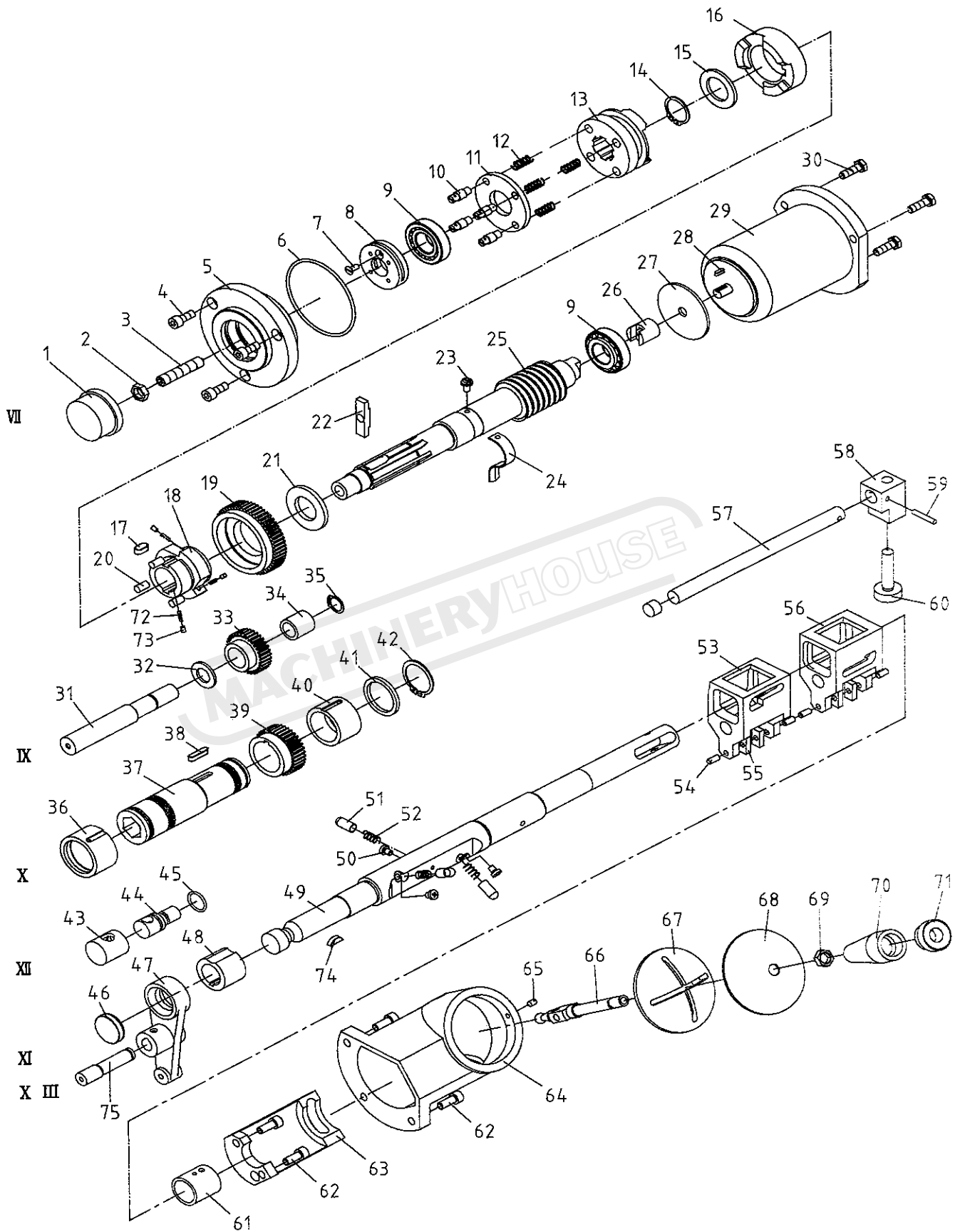


Apron Assembly II

Index No.	Part No.	Description	Size	Qty.
1	C6140W-06738	Adjust Knob		1
2	GB6172	Hex Flat Nut	M12	1
3	GB78	Hex Set Screw	M12x60	1
4	GB70	Hex Socket Cap Screw	M8x20	3
5	C6140W-06111	Flange		1
6	G51-2A	Ring Seal	93x3.1	1
7	GB68	Slotted Head Screw	M5x12	1
8	C6140W-06739	Adjust Circlip		1
9	30502/P6	Bearing	25x52x15	2
10	C6266C-06734	Bolt		4
11	C6140W-06740	Washer		1
12	Q81-1	Spring	1x10x35	4
13	C6266C-06707	Clutch		1
14	GB894.1	Circlip For Shaft	30	1
15	C6266C-06708	Washer		1
16	C6266C-06706	Clutch		1
17	GB1096	Flat Key	8x16	1
18	C6140W-06708	Star Gear		1
19	C6140W-06709	Gear		1
20	C6140W-06726	Pin		3
21	C6140W-06710	Washer		1
22	C6140W-06737	Block		1
23	GB67	Slotted Pan Head Screw	M6x10	1
24	C6140W-06729	Splash Leaf		1
25	C6266C-06209	Worm		1
26	C6140W-06728	Motor Connector		1
27	C6266C-06503	Washer		1
28	YSS56BJ	Motor	300W 1500r/min	1
29	GB1096	Flat Key		1
30	GB5782	Hex Bolt	M8x30	3
31	C6140W-06736	IX Shaft		1
32	C6140W-06735	Washer		2
33	C6140W-06734	Gear		1
34	C6140W-06306	Sleeve		1
35	GB894.1	Circlip For Shaft	16	1
36	C6140W-06305	Sleeve		1
37	C6140W-06733	X Shaft		1
38	GB1096	Flat Key	6x25	1
39	C6140W-06732	Gear		1
40	C6140W-06304	Sleeve		1
41	C6140W-06730	Washer		1
42	GB894.1	Circlip For Shaft	38	1
43	C6266C-6704	Oil Tap Cover		1

44	C6266C-06705	Oil tap	35	1
45	GB895	Steel Wire Circlip		1
46	C6266C-06102	Plug		1
47	C6140W-06103	Fork		1
48	C6266C-06703	Limiting Sleeve		1
49	C6266C-06701	Control Shaft		1
50	GB67	Slotted Pan Head Screw	M6x8	3
51	Q81-1	Spring	1.6x8x22	3
52	C6140W-06701	Pin		3
53	C6140W-06713	Left Fork		1
54	GB119	Pin	6n6x14	6
55	C6140W-06715	Sliding Block		6
56	C6140W-06714	Right Fork		1
57	C6140W-06717	Shaft		1
58	C6140W-06104	Inter-locking Block		1
59	GB117	Taper Pin	5x30	1
60	C6140W-06718	Shaft		1
61	C6266C-06304	Sleeve		1
62	GB70	Hex Socket Cap Screw	8x20	5
63	C6140W-06719	Bracket		1
64	C6140W-06105	Bracket		1
65	GB71	Slotted Set Screw		1
66	C6140W-06722	Handle	M6x10	1
67	C6140W-06106	Cross Cover		1
68	C6140W-06501	Washer		1
69	GB6173	Hex Flat Nut	M12x1.25	1
70	C6140W-06721	Handle		1
71	C6140W-06720	Washer		1
72	C6140W-06727	Pin		3
73	Q81-1	Spring	0.3x3x12	3
74	GB1099	Half Circle Key	5x19	1
75	C6140W-06704	XIII Shaft		1

Apron Assembly II



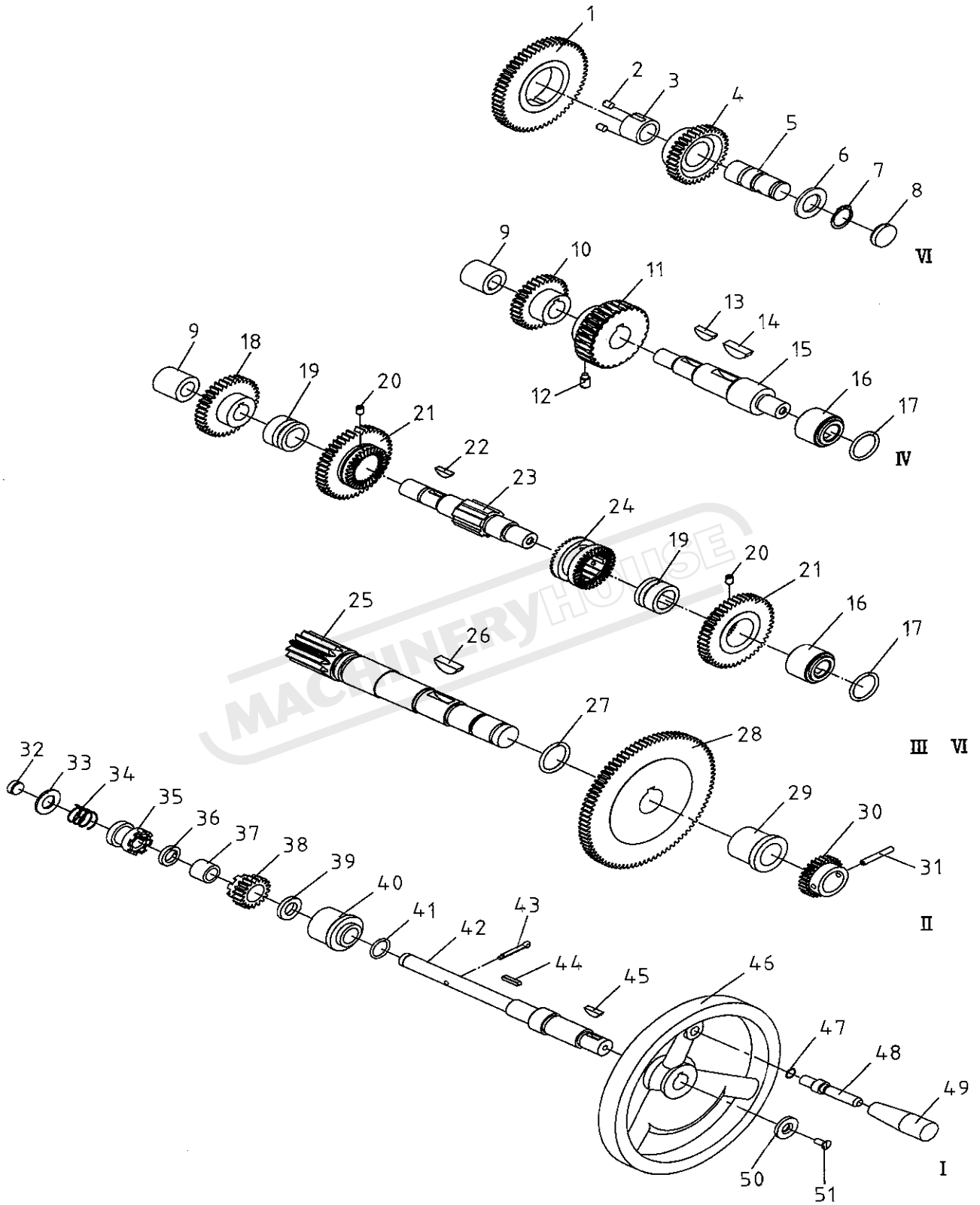
Apron Assembly III

Index No.	Part No.	Description	Size	Qty.
1	C6140W-06751	Gear		1
2	GB71	Slotted Set Screw	M6x8	2
3	C6140W-06309	Sleeve		1
4	C6140W-06752	Gear		1
5	C6266C-06728	VI Shaft		1
6	C6140W-06754	Washer		1
7	GB894.1	Circlip For Shaft	20	1
8	C6140W-06114	Plug		1
9	C6140W-06113	Sleeve		3
10	C6140W-06749	Gear		1
11	C6140W-06308	Worm Wheel		1
12	GB72	Slotted Set Screw	M8x16	1
13	GB1099	Half Circle Key	6x22	1
14	GB1099	Half Circle Key	8x28	1
15	C6140W-06748	IV Shaft		1
16	C6140W-06115	Sleeve		3
17	G51-2A	Ring Seal	35x3.1	3
18	C6140W-06746	Gear		2
19	C6140W-06307	Sleeve		4
20	GB71	Slotted Set Screw	M6x10	4
21	C6140W-06744	Gear		4
22	GB1099	Half Circle Key	5x16	2
23	C6140W-06747	III Shaft		2
24	C6140W-06745	Connector		2
25	C6140W-06743	II Shaft		1
26	GB1099	Half Circle Key	8x28	1
27	G51-2A	Ring Seal	35x3.1	1
28	C6140W-06742	Gear		1
29	C6140W-06118	Sleeve		1
30	C6140W-06764	Gear		1
31	GB117	Taper Pin	5x35	1
32	C6140W-06112	Plug		1
33	C6140W-06774	Washer		1
34	Q81-1	Spring	1.6x18x25	1
35	C6140W-06773	Connector		1
36	C6140W-06772	Washer		1
37	C6140W-06371	Sleeve		1
38	C6140W-06771	Gear		1
39	C6140W-06770	Washer		1
40	C6140W-06120	Sleeve		1
41	G51-2A	Ring Seal	18x2.4	1
42	C6140W-06775	I Shaft		1
43	C6140W-06774	Washer		1

44	GB1096	Flat Key	4x20	1
45	GB1099	Half Circle Key	5x16	1
46	C6266C-06111	Handlewheel		1
47	GB895	Steel Circlip	10	1
48	C6140W-06766	Shaft		1
49	C6140W-06765	Lever Sleeve		1
50	GB891	Circlip	5x12	1
51	GB68	Slotted Head Screw	25	1

MACHINERYHOUSE

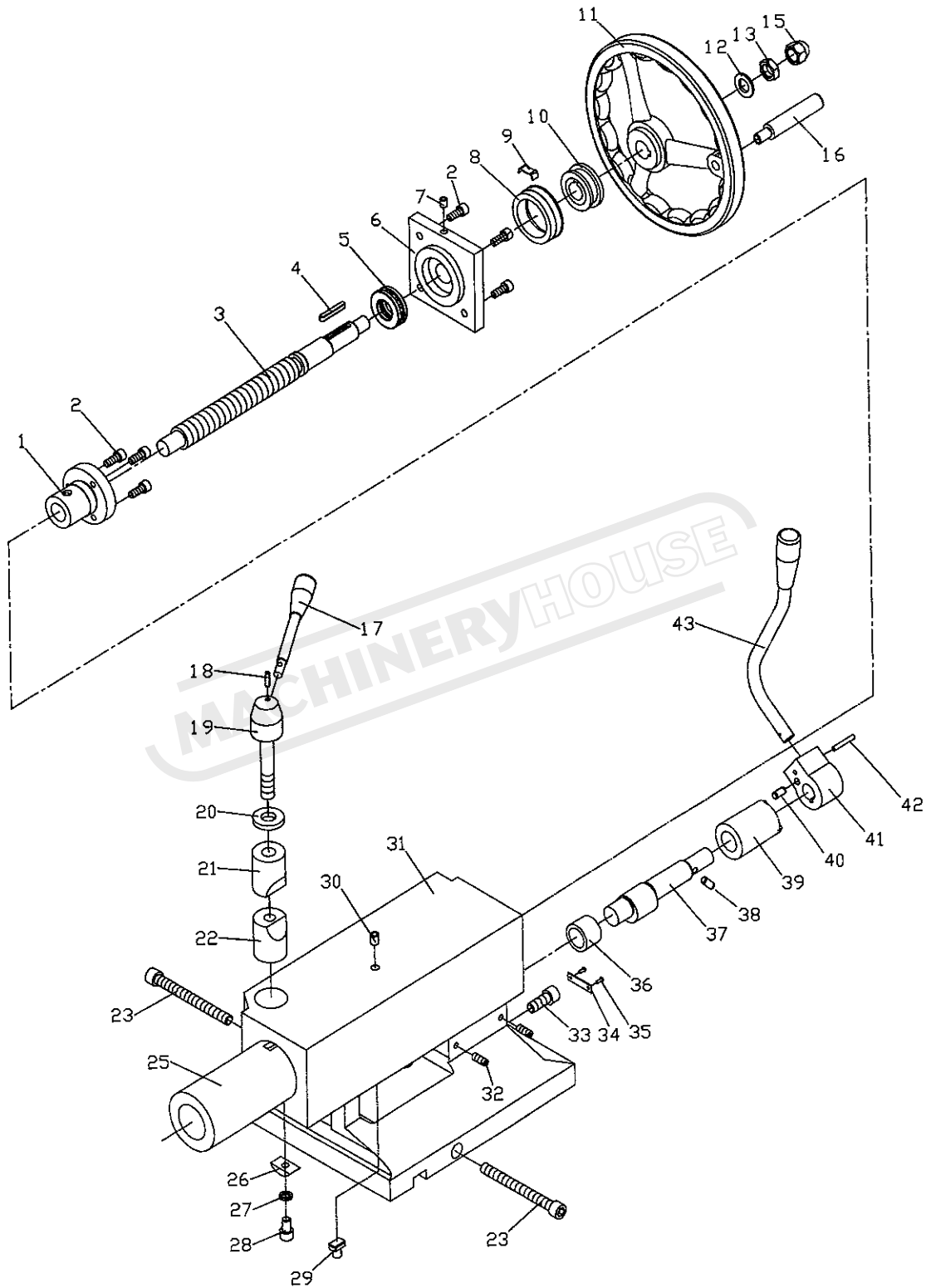
Apron Assembly III



Tailstock Assembly I

Index No.	Part No.	Description	Size	Qty.
1	GH1640ZX-03105	Nut		1
2	GB70	Hex Socket Cap Screw	M8x20	7
3	GH1840ZX-03710	Lead Screw		1
4	GB1096	Plain Key	6x40	1
5	51205	Thrust Bearing	25x47x15	1
6	C6250B-03105	Back Cover		1
7	GB1155	Oil Cup	8	2
8	GH1640ZX-03708G	Dial		1
9	C6132-03711	Spring Leaf		1
10	1440R-03706	Sleeve		1
11	C6140W-03107	Handlewheel		1
12	GB97	Flat Washer	16	1
13	GB6172	Hex Flat Nut	M16	1
15	GB923	Nut	M16	1
16	C6140W-03705	Lever		1
17	C6140W-03710	Lever		1
18	GB117	Straight Pin	5x20	1
19	C6140W-03715	Lever Support		1
20	C6140W-03716	Washer		1
21	C6140W-03717	Clamping Block		1
22	C6140W-03718	Clamping Block		1
23	GB70	Hex Socket Cap Screw	M12x120	2
25	C6140W-03701	Center Sleeve		1
26	C6140W-03702	Clampingblock		1
27	GB93	Spring Washer	10	1
28	GB70	Hex Socket Cap Screw	M10x16	1
29	1440R-03702	Positioning Block		1
30	GB1155	Oil Cup	10	1
31	C6266C-03101	Tailstock Casting		1
32	GB75	Slotted Cylindrical End Set Screw	M8x25	2
33	GB70	Hex Socket Cap Screw	M12x25	1
34	C6132-03303	Panel		1
35	GB867	Half Circle Rivet	3x8	4
36	C6140W-03103	Sleeve		1
37	C6250B-03704	Eccentric Shaft		1
38	GB117	Taper Pin	6x45	1
39	C6250B-03103	Sleeve		1
40	GB119	Pin	8x15	1
41	C6250B-03104	Lever Sleeve		1
42	GB117	Taper Pin	5x40	1
43	C6250B-03705	Lock Handle		1

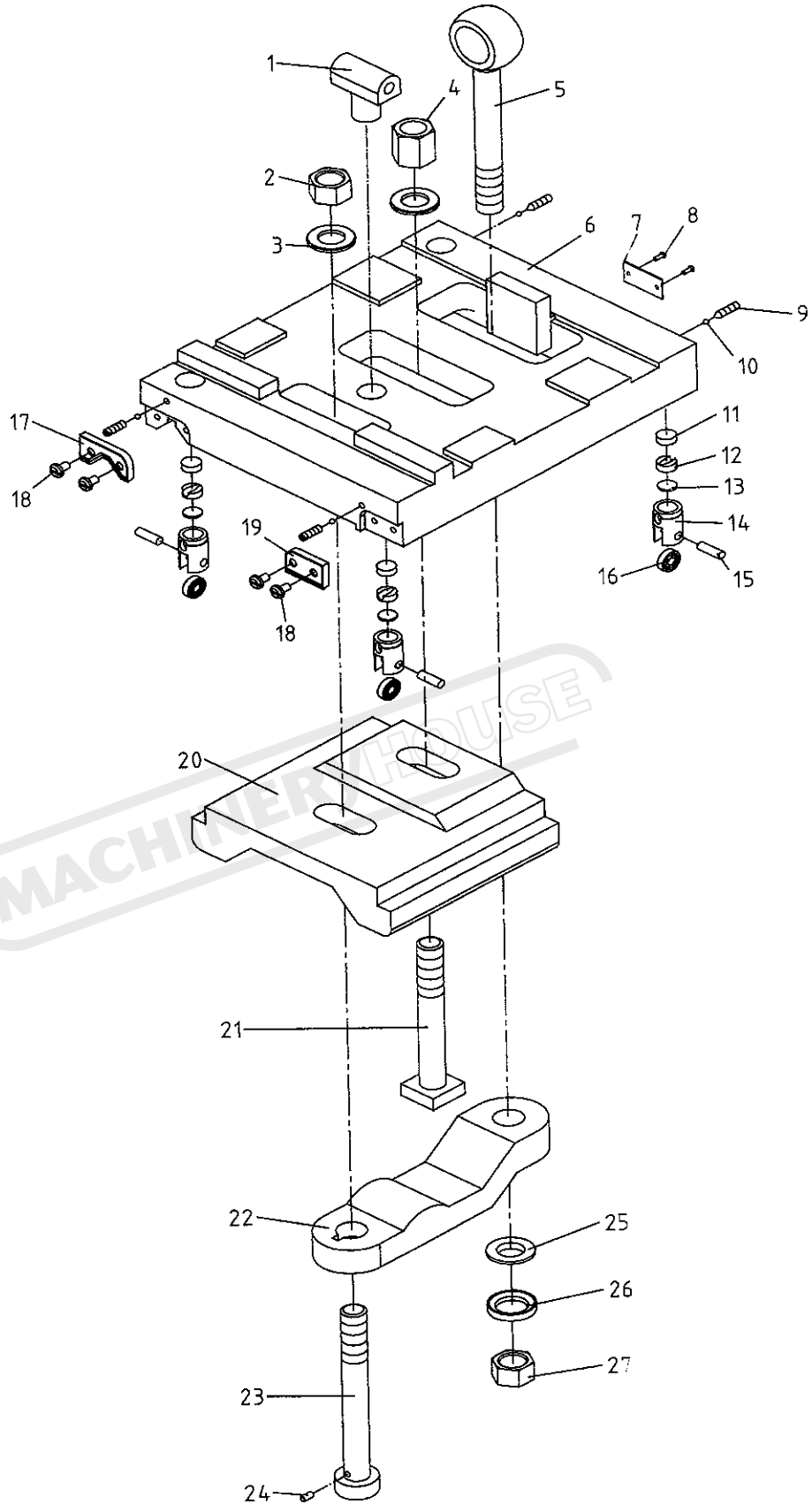
Tailstock Assembly I



Tailstock Assembly II

Index No.	Part No.	Description	Size	Qty.
1	C6140W-03110	Nut		1
2	GB6171	Hex Nut	M20x1.5	1
3	GB97	Slotted Pan Head Screw	20	1
4	GB56	Hex Thick Nut	M20	1
5	C6266C-03703	Pulling Rod		1
6	C6266C-03102	Sliding Base		1
7	C6132-03302	Sign Plate		1
8	GB867	Half Circle Rivet	3x8	4
9	GB75	Slotted Cylindrical End Set Screw	M6x16	4
10	GB308	Steel Ball	Φ 4	4
11	C6140W-03711	Washer		4
12	C6140W-03712	Clamping Block		4
13	C6140W-03501	Spring Washer		4
14	C6140W-03713	Bearing Support		4
15	C6140W-03714	Small Axle		4
16	607	Ball Bearing	7x19x6	4
17	C6140W-03502	Wipe Plate		1
18	GB67	Slotted Pan Head Screw	M6x10	4
19	C6140W-03503	Wipe Plate		1
20	C6140W-03104	Clamping Block		1
21	C6266C-03702	Screw		1
22	C6140W-03111	Clamping Block		1
23	C6266C-03701	Screw		1
24	GB119	Straight Pin	5x10	1
25	GB849	Ball Washer	20	1
26	GB850	Taper Washer	20	1
27	GB6173	Hex Nut	M20x1.5	1

Tailstock Assembly II

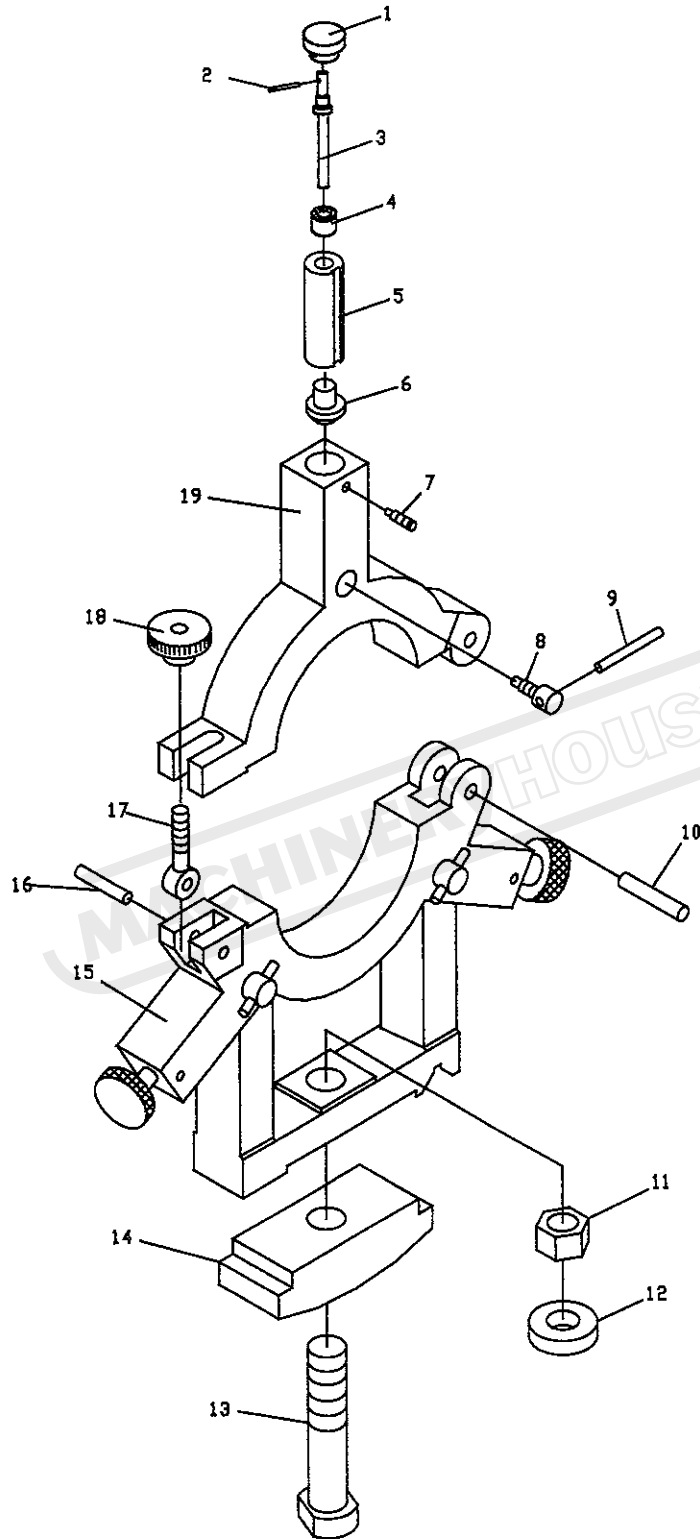


Steady Rest Assembly

Index	Part			
No.	No.	Description	Size	Qty.
1	GB4141.29	A Type Asterisk Handle	Φ 12	3
2	GB117	Pin	4X25	3
3	C6140W-10702	Screw		1
4	C6140W-10703	Nut		1
5	C6140W-10705	Sliding Sleeve		1
6	C6140W-10301	Block		1
7	GB75	Slotted Set Screw	M10X16	3
8	C6140W-10704	Set Screw		3
9	GB119	Pin	A6X45	3
10	GB119	Pin	A8X55	3
11	GB56	Hex Extra Thick Nut	M20	1
12	GB97.2	Washer	20	1
13	C6140W-10706	Square Head Bolt		1
14	C6140W-10104	Clamping Plate		1
15	C6266C-10A101	Steady Rest Lower Body		1
16	GB119	Pin	A16X55	1
17	C6140W-10701	Screw		1
18	GB4141.29	B Type Asterisk Handle	M12	1
19	C6140W-10102	Steady Rest Upper Body		1

MACHINERYHOUSE

Steady Rest Assembly



Follow Rest Assembly

Index	Part			
No.	No.	Description	Size	Qty.
1	GB4141.29	A Type Asterisk Handle	Φ 12	1
2	GB117	Pin	4X25	1
3	C6266-10705	Screw		1
4	C6266C-10704	Nut		1
5	C6266C-10706	Sliding Sleeve		1
6	C6266C-10302	Block		1
7	GB75	Slotted Set Screw	M10X16	2
8	C6140W-10704	Set Screw		2
9	GB119	Pin	A6X45	2
10	GB70	Hex Socket Cap Screw	M16X55	2
11	C6266C-10103	Follow Rest Casting		1

MACHINERYHOUSE

Follow Rest Assembly

